

Self-Priming Centrifugal Pedestal Pumps



Model 2760-99

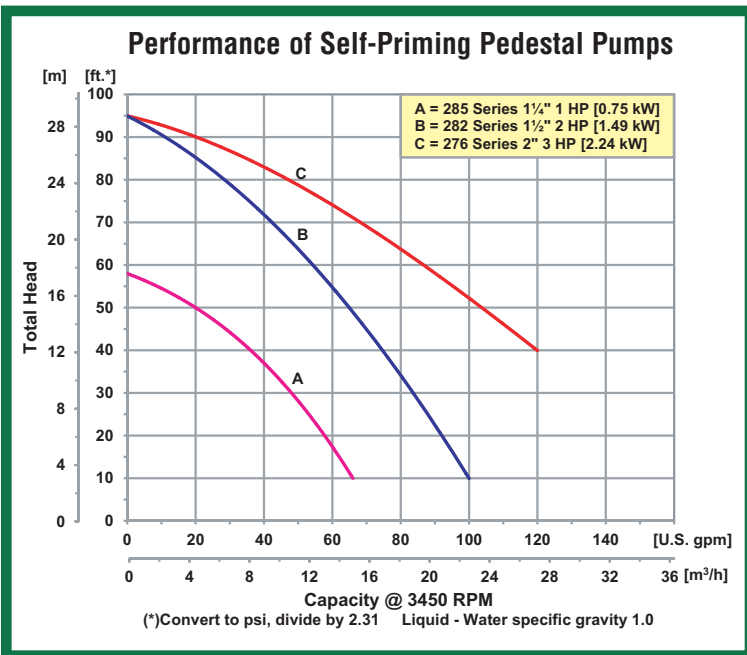


Model 2850-99

- **Cast Iron & Stainless Steel Construction**
- **Buna-N Mechanical Seals on Cast Iron Models**
- **Viton® Mechanical Seals on Stainless Steel Models**
- **Optional Silicon Carbide Mechanical Seals Available**
- **1-1/4", 1-1/2" or 2" NPT Suction and Discharge Port Sizes**
- **Dual Volute Design Reduces Radial Load on Motors**
- **Maximum Temperature**
 - ◆ **Buna-N 180° F**
 - ◆ **Viton® 200° F**
- **Self-Cleaning, Semi-Open Impeller**
- **Heavy Duty Cast Iron Pedestal Drive with Sealed Ball Bearings**



AMT Self-Priming Centrifugal Pedestal pumps are designed for a wide range of industrial, agricultural and commercial applications. Dual volute design reduces radial load on bearings and motor. Heavy duty cast iron construction with Buna-N seals or stainless steel with Viton® seals. Pumps are fitted with a self-cleaning, semi-open impeller and are coupled to a heavy duty cast iron bearing housing with a CNC machined keyed shaft extension and sealed ball bearings. The pump has been designed for either direct connection or belt drive. The maximum recommended RPM is 4,000.



MESA AGRO-INDUSTRIAL CORP.
 BOMBAS DE AGUA --FILTROS --COMPRESORES DE AIRE --GENERADORES DE ELECTRICIDAD
 TRACTORES E IMPLEMENTOS AGRICOLAS --PISTEROS Y SISTEMAS DE RIEGO --MANGAS --VALVULAS
 TELS. 939-338-0607 --787-636-2132 - FAX. 787-740-0960
 E-mail: mesaagro@hotmail.com - www.mesapr.com



For use with nonflammable liquids compatible with pump component materials. Viton® and Teflon® are registered trademarks of E. I. DuPont.

Pump Dimensional & Specification Data

Model	A	B	C	D	E	F	G	J	K	M (Dia.)	L	W	H
2850-99	1.7 [4.3]	2.4 [6.1]	N/A	3.2 [8.1]	2.8 [7.1]	0.7 [1.7]	0.5 [1.2]	8.4 [21.3]	1.3 [3.3]	5/8	11.8 [29.9]	5.8 [14.7]	6.8 [17.2]
2820-98	1.8 [4.5]	0.4 [1.0]	3.0 [7.6]	4.2 [10.6]	3.5 [8.8]	0.4 [1.0]	0.4 [1.0]	9.1 [23.1]	2.1 [5.3]	3/4	11.1 [28.1]	7.5 [19.0]	9.3 [23.6]
2820-99	2.2 [5.5]	0.4 [1.0]	N/A	4.5 [11.4]	3.5 [8.8]	0.7 [1.7]	0.5 [1.2]	7.1 [18.0]	1.3 [3.3]	5/8	11.1 [28.1]	7.5 [19.0]	9.6 [24.3]
2760-99	1.8 [4.5]	1.2 [3.0]	2.5 [6.3]	4.1 [10.4]	4.5 [11.4]	0.4 [1.0]	0.4 [1.0]	10.4 [26.4]	1.1 [2.7]	3/4	15.7 [39.8]	7.5 [19.0]	10.8 [27.4]
2761-99	1.8 [4.5]	1.2 [3.0]	3.0 [7.6]	4.2 [10.6]	4.5 [11.4]	0.4 [1.0]	0.4 [1.0]	10.4 [26.4]	2.1 [5.3]	3/4	15.7 [39.8]	7.5 [19.0]	10.9 [27.6]

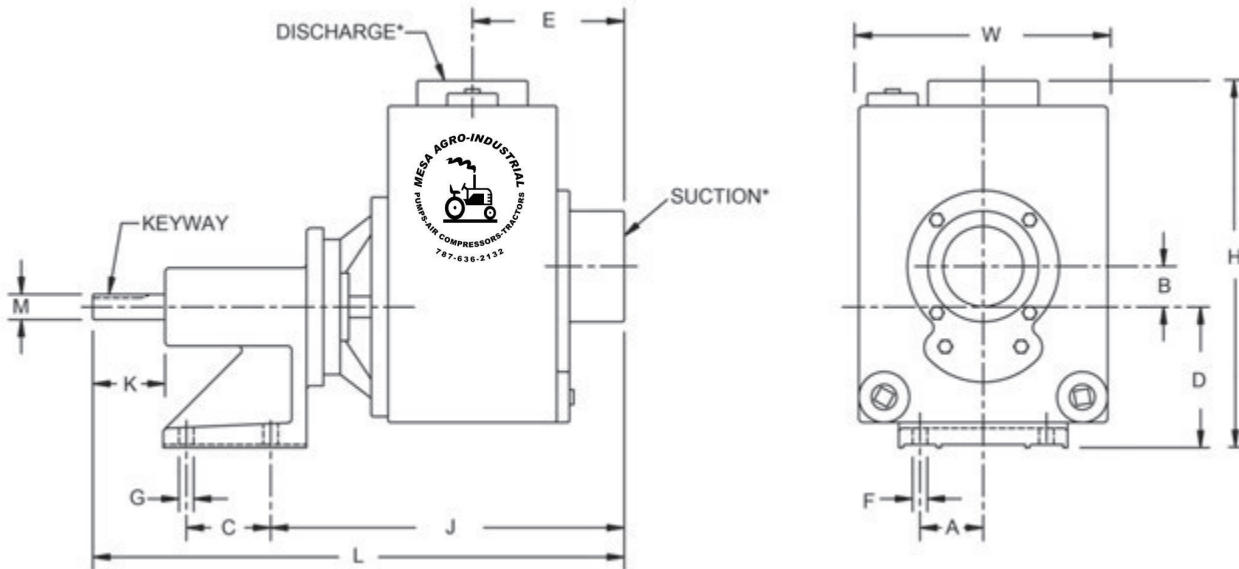
NOTE: Dimensions are in inches (centimeters) and have a tolerance of $\pm 1/8"$.

Maximum Solids Handling Capacity: 3/8" Diameter



Model	Curve	SUC*	DIS*	Keyway	Minimum BHP Required @ 3450 RPM	Construction Material	Ship Wt. (Lbs.)
2850-99	A	1 1/4"	1 1/4"	3/16" x 1"	1	Cast Iron	23
2820-99	B	1 1/2"	1 1/2"	3/16" x 1"	2	Cast Iron	32
2820-98	B	1 1/2"	1 1/2"	3/16" x 1-7/8"	2	Stainless Steel	32
2760-99	C	2"	2"	3/16" x 1-7/8"	3	Cast Iron	48
2761-99	C	2"	2"	3/16" x 1-7/8"	3	Stainless Steel	48

(*) Standard NPT (Female) pipe thread.

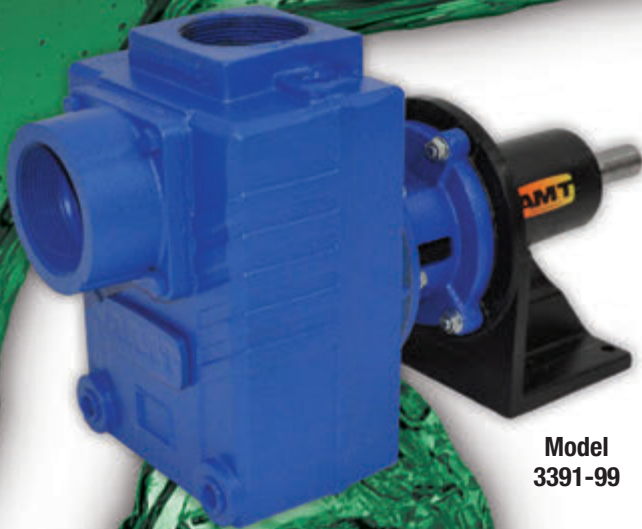


Standard Features

- Cast Iron & Stainless Steel Construction
- Mechanical Seal:
 - Cast Iron Buna-N
 - Stainless Steel Viton®
- Maximum Temperature:
 - Buna-N 180° F
 - Viton® 200° F
- 1-1/4", 1-1/2" or 2" NPT Suction and Discharge Port Sizes
- Maximum Working Pressure 75 PSI
- Solids Handling to 3/8" Diameter
- Built-In Check Valve on 1-1/2" & 2" Models
- Self-priming up to 20 Ft. @ 3450 RPM
- Dual Volute Design Reduces Radial Load on Motor
- QSP – Quick Ship Pump for Many Models

Self-Priming Solids Handling Pedestal Drive Pumps

- Available in Cast Aluminum, Cast Iron or Thermoplastic, Depending on Specific Model
- Buna-N or Viton® Mechanical Seal, Depending on Specific Model
- Optional Seals Available
- 2" to 4" NPT Suction and Discharge Ports
- Maximum Working Pressure up to 75 PSI
- Maximum Temperature 180° F
- Self-Priming to 20 Ft.
- Shaft Diameter
 - ◆ 2" Models 3/4"
 - ◆ 3" & 4" Models 1-1/8"
- Sized From Minimum 3 HP to 15 HP Driver at 3,600 RPM, Depending on Model

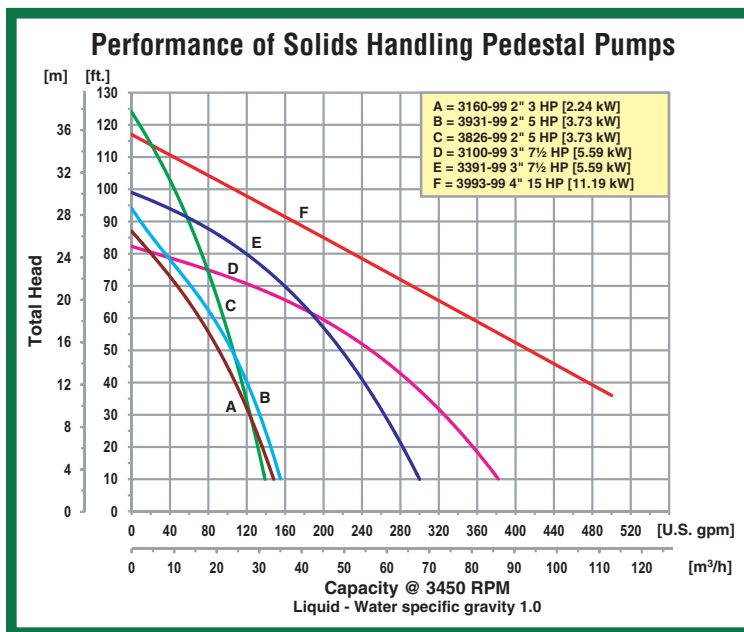


Model 3391-99



Model 3100-99

AMT Self-Priming Solids Handling Pedestal pumps are designed for direct or belt drive. Specific units are available in cast aluminum, cast iron or thermoplastic construction material. The units feature 3/8" to 2" solids handling construction and are fitted with a cast iron bearing housing, which contains two or three precision sealed ball bearings depending on specific model. Easy cleanout design by removing casing bolts permits removal of debris without disconnecting hoses. The 3" & 4" trash pump models feature cleanout covers with quick release handles for removal of debris. All units are self-priming to 20 feet.



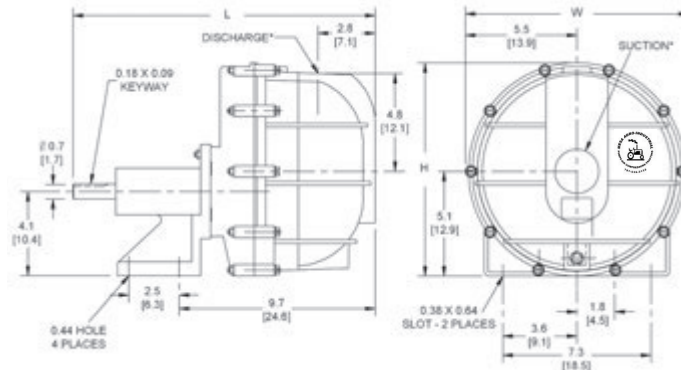
MESA AGRO-INDUSTRIAL CORP.
 BOMBAS DE AGUA --FILTROS --COMPRESORES DE AIRE --GENERADORES DE ELECTRICIDAD
 TRACTORES E IMPLEMENTOS AGRICOLAS --PISTEROS Y SISTEMAS DE RIEGO --MANGAS --VALVULAS
 TELS. 939-338-0607 --787-636-2132 - FAX. 787-740-0960
 E-mail: mesaagro@hotmail.com - www.mesapr.com

For use with nonflammable liquids compatible with pump component materials. Viton® and Teflon® are registered trademarks of E. I. DuPont.

2" Dewatering

Models 3826-99

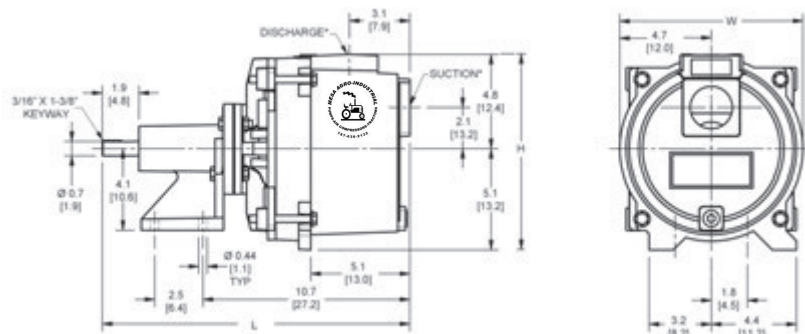
- Thermoplastic Construction
- Buna-N Check Valve and O-rings
- 2" NPT Suction & Discharge Ports
- Maximum Working Pressure 60 PSI
- Maximum Temperature 130° F
- Self-priming to 20 Ft.
- 2" Dewatering Construction
- 1/4" Diameter Solids Handling Capability
- Heavy Duty Cast Iron Bearing Housing Containing (2) Precision Sealed Ball Bearings
- 3/4" Diameter CNC Machined Shaft
- 1-3/8" x 3/16" x 3/32" Keyway



2" Solids Handling/Trash

Models 3160-99 & 3931-99

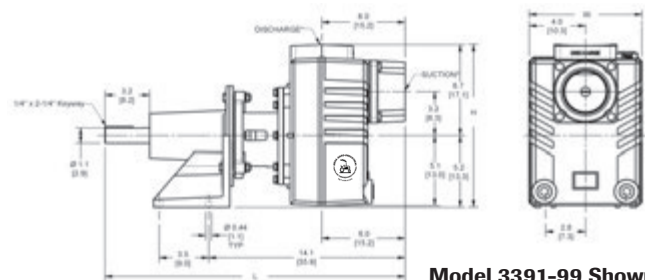
- Cast Iron Construction
- Buna-N Check Valve and O-rings (Model 3160-99)
- Viton® Check Valve and O-Rings (Model 3931-99)
- 2" NPT Suction & Discharge Ports
- Maximum Working Pressure 75 PSI
- Maximum Temperature 180° F
- Self-priming to 20 Ft.
- 3/8" Diameter Solids Handling Capability on 3160-99
- 1" Diameter Solids Handling Capability on 3931-99
- Heavy Duty Cast Iron Bearing Housing Containing (2) Precision Sealed Ball Bearings
- 3/4" Diameter CNC Machined Shaft
- 1-3/8" x 3/16" x 3/32" Keyway



3" & 4" Solids Handling/Trash

Models 3100-99, 3391-99 & 3993-99

- Cast Aluminum Construction with Cast Iron Wearparts and Front Cleanout (Models 3100-99 & 3993-99)
- Cast Iron Construction (3391-99)
- Buna-N Check Valve and O-rings
- Maximum Working Pressure 75 PSI
- Maximum Temperature 180° F
- Self-priming to 20 Ft.
- Solids Handling Capability
 - 3391-99—3/4" Diameter
 - 3100-99—1-1/2" Diameter - Trash Pump
 - 3993-99—2" Diameter - Trash Pump
- Heavy Duty Cast Iron Bearing Housing Containing (3) Precision Sealed Ball Bearings
- 1-1/8" Diameter CNC Machined Shaft
- 2-1/4" x 1/4" x 1/8" Keyway



Model 3391-99 Shown

Pump Dimensional & Specification Data

Model	Curve	SUC*	DIS*	L	W	H	Keyway	Seal	HP Required @ 3600 RPM	Ship Wt. (Lbs.)
3160-99	A	2" Female	2" Female	15.1 [38.3]	8.0 [20.3]	8.9 [22.6]	3/16" x 1-3/8"	Buna-N	3	41
3931-99	B	2" Female	2" Female	15.9 [40.4]	5.0 [12.7]	8.9 [22.6]	3/16" x 1-7/8"	Viton®	5	59
3826-99	C	2" Female	2" Female	15.0 [38.1]	11.0 [27.9]	10.5 [26.6]	3/16" x 1-3/8"	Buna-N	5	20
3100-99	D	3" Male	3" Male	23.0 [58.8]	13.3 [33.7]	20.6 [52.3]	1/4" x 1-1/4"	Viton®	7½	91
3391-99	E	3" Female	3" Female	21.6 [54.8]	8.1 [20.5]	12.0 [30.4]	1/4" x 1-1/4"	Buna-N	7½	54
3993-99	F	4" Male	4" Male	23.0 [58.4]	9.3 [23.6]	20.1 [51.0]	1/4" x 1-1/4"	Viton®	15	133

(*) Standard NPT pipe thread.

NOTE: Dimensions are in inches (centimeters) and have a tolerance of ± 1/8".

High Pressure & Trash Pedestal Drive Pumps

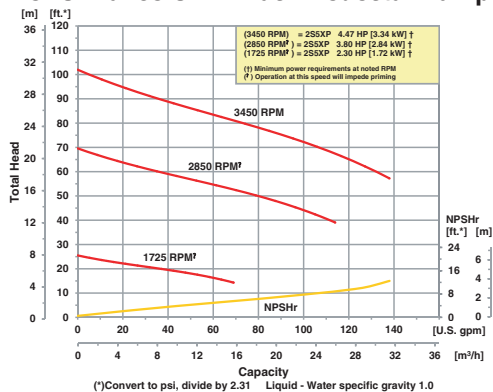
- **Aluminum Construction**
- **High Pressure—Type P Only**
 - ◆ **Aluminum Impeller with Cast Iron Volute for High Efficiency**
 - ◆ **EPDM/EPR Seals and O-Rings**
- **Trash—Type S Only**
 - ◆ **Cast Iron Impeller & Volute for Resistance to Wear and Abrasion**
 - ◆ **Silicon/Carbide/Viton® Mechanical Seal and EPDM/EPR O-Rings**



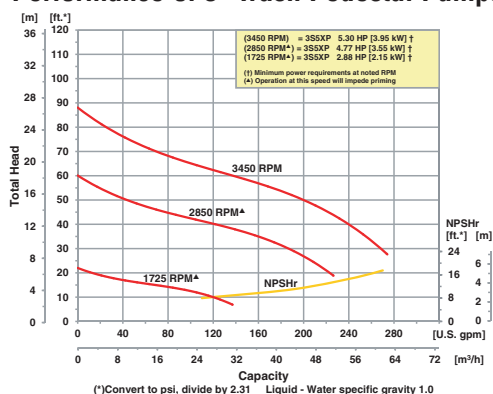
Aluminum Pedestal



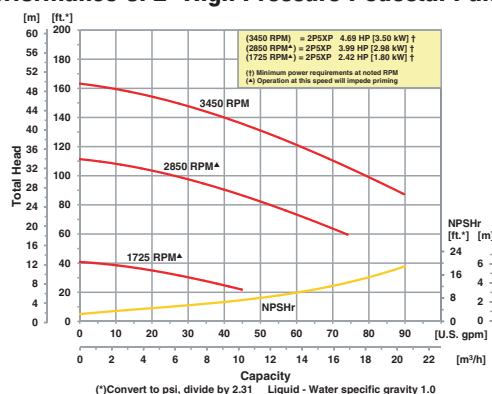
Performance of 2" Trash Pedestal Pumps



Performance of 3" Trash Pedestal Pumps



Performance of 2" High Pressure Pedestal Pumps



Pedestal drive units for flex-coupling to an electric motor are available in general purpose, high pressure and trash versions. All models are standard with threaded impeller.



MESA AGRO-INDUSTRIAL CORP.
 BOMBAS DE AGUA --FILTROS --COMPRESORES DE AIRE --GENERADORES DE ELECTRICIDAD
 TELS. 939-338-0607 --787-636-2132 - FAX. 787-740-0960
 E-mail: mesaagro@hotmail.com - www.mesapr.com

For use with nonflammable liquids compatible with pump component materials. Viton® and Teflon® are registered trademarks of E. I. Dupont.

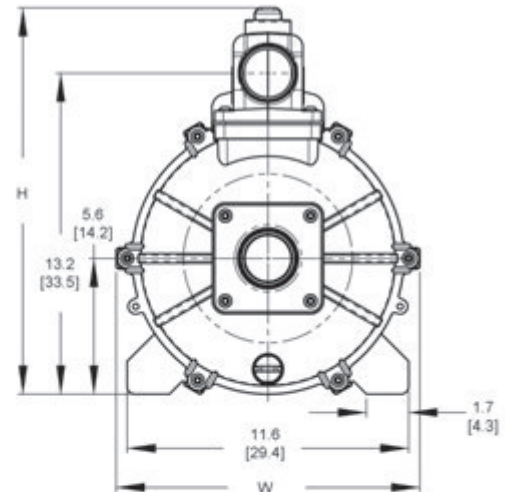
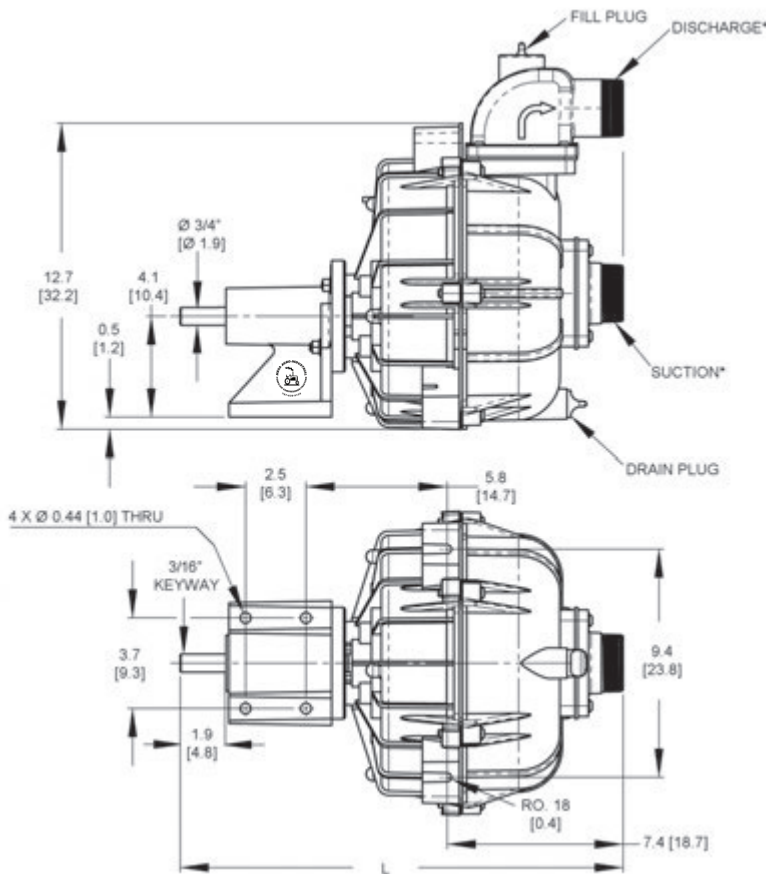
Aluminum with Cast Iron Pedestal Drive with Dual Sealed Ball Bearings

High Pressure Pedestal Drive

Model	NPT	HP Required	Check Valve	O-Ring	Seal Type & Elastomer/Faces	Ship Wt. (Lbs.)
2P5XP	2"	5	EPDM/EPR	EPDM/EPR	EPDM/EPR/CAR/CER	43

Trash Pedestal Drive

Model	NPT	HP Required	Check Valve	O-Ring	Seal Type & Elastomer/Faces	Ship Wt. (Lbs.)
2S5XP	2"	5	EPDM/EPR	EPDM/EPR	Viton®/SIC/SIC	47
3S5XP	3"					49



Standard Features

- Stainless Steel Internal Screws and Pins for Easy Servicing
- Large Pump Casing for Faster Priming
- Built-in EPDM/EPR Check Valve for Fast Priming
- Horizontal Discharge—No Need to Buy Elbow
- Threaded Male Connections—No Need to Buy Nipples
- Stainless Steel Shaft Sleeve
- Strainer Supplied with Each Pump—to Prevent Clogging

Pump Dimensional & Specification Data

Model	SUC*	DIS*	L	W	H
2P5XP / 2S5XP	2" (Male)	2" (Male)	18.3 [46.4]	12.5 [31.7]	16.4 [41.6]
3S5XP	3" (Male)	3" (Male)	18.5 [46.9]	12.5 [31.7]	16.0 [40.6]

(*) Standard NPT pipe thread.

NOTE: Dimensions are in inches (centimeters) and have a tolerance of $\pm 1/8"$.

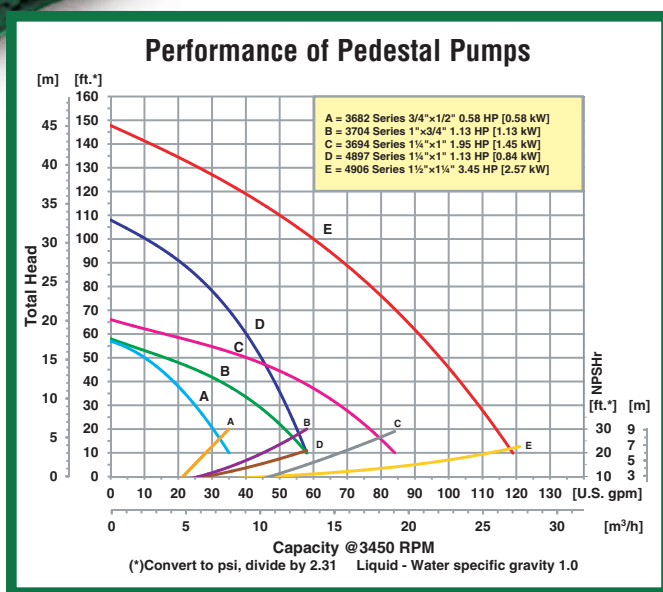
Straight Centrifugal Pedestal Pumps

- **Available in: 300 Series Investment Cast Stainless Steel, Stainless Steel Fitted Cast Iron or Cast Bronze Construction (See Pricebook for Specific Model Availability)**
- **Mechanical Seal**
 - ◆ **Stainless Steel** **Viton®**
 - ◆ **Cast Bronze** **Viton®**
 - ◆ **Cast Iron** **Buna-N**
 - ◆ **Optional** **Silicon Carbide**
- **3/4" to 1-1/2" NPT Suction Port Sizes**
- **1/2" to 1-1/4" NPT Discharge Ports**
- **Maximum Temperature**
 - ◆ **Buna-N 180° F**
 - ◆ **Viton® 200° F**
- **Maximum 4000 RPM**
- **High Head Models 4897 & 4906 for High Pressure/Booster Applications**
- **General Service Models 3682, 3694 & 3704 for Low Pressure Applications**



High Head Pedestal

Bronze Straight Pedestal



AMT Straight Centrifugal Pedestal pumps are designed for continuous duty OEM, Industrial/ Commercial and processing applications including: circulation, chemical processing, liquid transfer, heating and cooling. The high head models are ideal for sprinkler systems and pressure boosting.

These units are available in a variety of construction and seal materials. Pull-from-the-rear design permits easy servicing without disturbing any piping. Pedestals feature CNC machined shafts with sealed ball bearings. Models 4897 and 4906 pedestal drive are epoxy coated and include stainless steel shafts.



MESA AGRO-INDUSTRIAL CORP.
 BOMBAS DE AGUA --FILTROS --COMPRESORES DE AIRE --GENERADORES DE ELECTRICIDAD
 TRACTORES E IMPLEMENTOS AGRICOLAS --PISTEROS Y SISTEMAS DE RIEGO --MANGAS --VALVULAS
 TELS. 939-338-0607 --787-636-2132 - FAX. 787-740-0960
 E-mail: mesaagro@hotmail.com - www.mesapr.com

For use with nonflammable liquids compatible with pump component materials. Viton® and Teflon® are registered trademarks of E. I. Dupont.

Pump Dimensional & Specification Data

Model	A	B	C	D	E	F	G	J	K	M (Dia.)	L	W	H
GENERAL SERVICE MODELS													
3694	1.5 [3.8]	2.0 [5.0]	N/A	3.2 [8.1]	1.3 [3.3]	0.3 [0.7]	0.3 [0.7]	3.0 [7.6]	1.3 [3.3]	5/8	6.7 [17.0]	6.4 [16.3]	5.7 [14.4]
3704	1.5 [3.8]	2.1 [5.3]	N/A	3.2 [8.1]	1.4 [3.5]	0.3 [0.7]	0.3 [0.7]	3.0 [7.6]	1.3 [3.3]	5/8	6.7 [17.0]	6.4 [16.3]	5.6 [14.2]
3682	1.5 [3.8]	1.9 [4.8]	N/A	3.2 [8.1]	1.4 [3.5]	0.3 [0.7]	0.3 [0.7]	3.0 [7.6]	1.3 [3.3]	5/8	6.6 [16.7]	5.7 [14.6]	5.1 [12.9]
HIGH HEAD MODELS													
4906	2.2 [5.5]	3.5 [8.8]	3.0 [7.6]	4.2 [10.6]	3.0 [7.6]	0.5 [1.2]	0.5 [1.2]	4.9 [12.4]	1.9 [4.8]	3/4	12.1 [30.7]	8.6 [21.8]	9.1 [23.1]
4897	2.2 [5.5]	3.3 [8.3]	3.0 [7.6]	4.2 [10.6]	2.1 [5.3]	0.5 [1.2]	0.5 [1.2]	4.4 [11.1]	1.9 [4.8]	3/4	11.5 [29.2]	8.1 [20.7]	9.0 [22.8]

Model ‡	Curve	SUC*	DIS*	Minimum BHP Required @ 3450 RPM	‡ Ship Wt. (Lbs.)
3682	A	3/4	1/2	0.58	10
3704	B	1	3/4	1.13	11
3694	C	1¼	1	1.95	13
4897	D	1¼	1	1.13	38
4906	E	1½	1¼	3.45	40

(*) Standard NPT (Female) pipe thread.

NOTE: Dimensions are in inches (centimeters) and have a tolerance of $\pm 1/8"$.

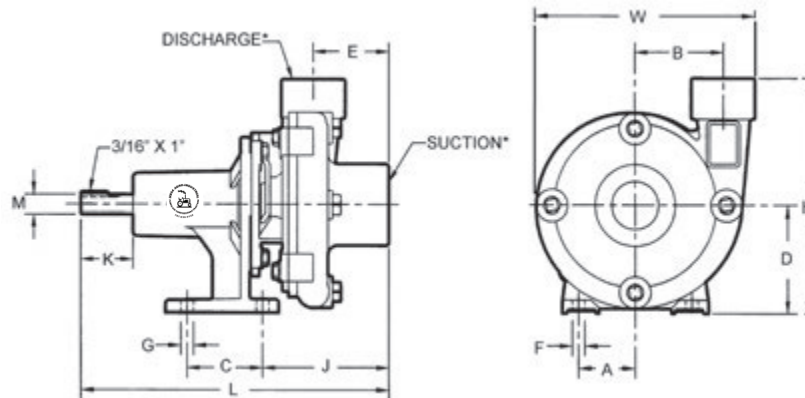
‡ When Ordering Add the Correct (-9x) Suffix to Model Number Indicating Material Selection (Ex. 4897-95).

XCI (-95) Cast Iron Construction with Stainless Steel Impeller and Buna-N Seals

XB (-97) Cast Bronze Casing with Stainless Steel Impeller, Pedestal with Viton® Seals

XSS (-98) Cast Stainless Steel Construction with Viton® Seals

(Check Pricebook for Availability on Models)



Standard Features

- 300 Series Investment Cast Stainless Steel, Stainless Steel Fitted Cast Iron or Cast Bronze Construction (See Pricebook for Specific Model Availability)
- Mechanical Seal:
 - Cast Iron Buna-N
 - Stainless Steel Viton®
 - Cast Bronze Viton®
 - Optional Silicon Carbide
- Maximum Temperature:
 - Buna-N 180° F
 - Viton® 200° F
- 3/4" to 1-1/2" NPT Suction Ports
- 1/2" to 1-1/4" NPT Discharge Ports
- Maximum Working Pressure:
 - General Service 75 PSI
 - High Head 150 PSI
- Self-cleaning Impeller on General Service Models
- Maximum Flow 118 GPM
- Maximum Head 148 Ft.
- Epoxy Coated Pedestal Drive and Discharge Port Rotates in 90° Increments on High Head Models
- QSP - Quick Ship Pump for Many Models