

3/4" & 1" Self-Priming Utility Pumps



Model 2851-96

- **Aluminum Construction**
- **Viton® Mechanical Seal and O-Ring**
- **1" NPT Suction and Discharge Ports**
- **1/3 HP ODP Motor with 8 Ft. 115 VAC Power Cord**
- **Two Garden Hose Adapters and Carry Handle Included**
- **Self-Cleaning Impeller**
- **Maximum Suction Lift 15 Ft. Without Foot Valve**

AMT Model 2851-96 is designed for liquid transfer and general dewatering such as: emergency water supply, storm drains, pool/spa tub drainage and select chemical transfer up to 1.6 specific gravity that are compatible with all pump components.

Model 4292-96

- **Cast Aluminum Construction**
- **Buna-N Mechanical Seal and O-Ring**
- **1" NPT Suction and Discharge Ports**
- **Two Garden Hose Adapters and Carry Handle Included**
- **1/2 HP NEMA 56J Open Drip Proof (ODP) Motor with 8 Ft. 115 VAC Cord**
- **Maximum Suction Lift 6 Ft.**

AMT Model 4292-96 is designed to be portable and handle many water transfer services including: storm drainage, emergency water supply, wash down and pool/spa tub draining. Self-cleaning, semi-open impeller handles solids up to 1/8" diameter.

Model 2851-96
Aluminum

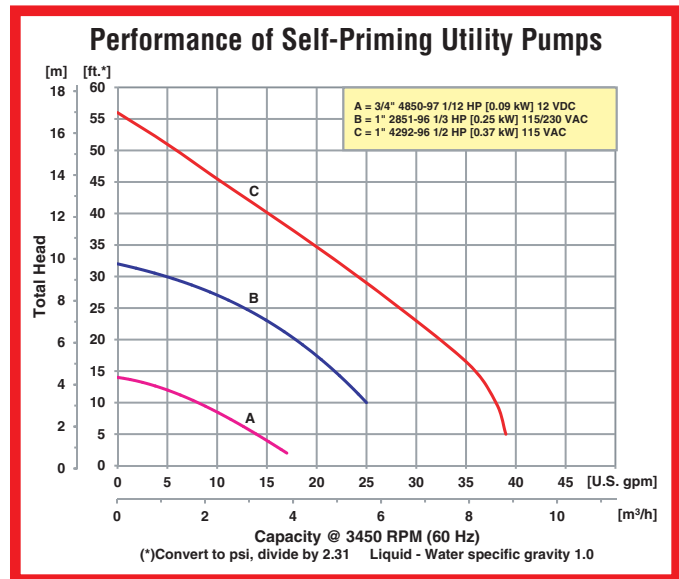
Model 4292-96
Cast Aluminum

Model 4850-97
Cast Bronze

Model 4850-97

- **Cast Bronze Construction**
- **Buna-N Mechanical Seal and O-Ring**
- **3/4" NPT Suction and Discharge Ports**
- **1/8 HP, 12 Volt DC, 3700 RPM Motor**
- **Maximum Suction Lift 4 Ft.**

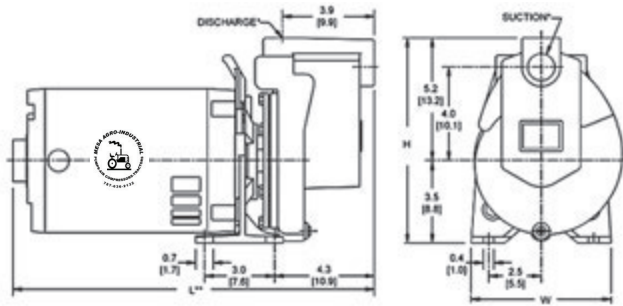
The AMT Model 4850-97 Self-priming Bronze Centrifugal pump is compact and designed for a wide range of dewatering/recirculating applications including: marine, salt water aquaculture and live well tanks. Meets U.S. Coast Guard (USCG) Electrical Standards (Title 33, Chapter 1, Part 183, Subpart 1) for Ignition Protection on Gasoline Powered Vessels.



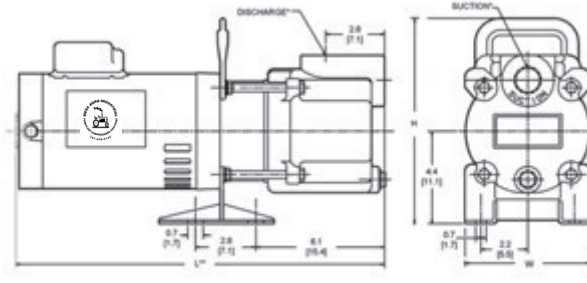
MESA AGRO-INDUSTRIAL CORP.
 BOMBAS DE AGUA --FILTROS --COMPRESORES DE AIRE --GENERADORES DE ELECTRICIDAD
 TRACTORES E IMPLEMENTOS AGRICOLAS --PISTEROS Y SISTEMAS DE RIEGO --MANGAS --VALVULAS
 TELS. 939-338-0607 --787-636-2132 - FAX. 787-740-0960
 E-mail: mesaagro@hotmail.com - www.mesapr.com

For use with nonflammable liquids compatible with pump component materials. Viton® and Teflon® are registered trademarks of E. I. DuPont.

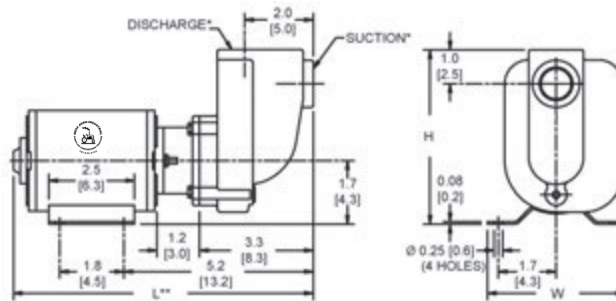
Pump Dimensional & Specification Data



Model 4292-96



Model 2851-96



Model 4850-97

Model	Curve	HP	PH	ENC	Voltage @ 60 Hz	Full Load Amps	SUC*	DIS*	L**	W	H	Ship Wt. (Lbs.)
4850-97	A	1/8	-	TENV	12.8V DC	11	3/4	3/4	8.7 [22.0]	4.0 [10.1]	5.1 [12.9]	9
2851-96	B	1/3	1	ODP	115/230	8/4	1	1	17.6 [44.7]	6.0 [15.2]	9.8 [24.8]	39
4292-96	C	1/2	1	ODP	115	10	1	1	16.1 [40.8]	6.5 [16.5]	8.7 [22.0]	30

(*) Standard NPT (Female) pipe thread.

(**) This dimension may vary due to motor manufacturer's specifications.

NOTE: Dimensions are in inches (centimeters) and have a tolerance of $\pm 1/4"$.

Standard Features

Model 4292-96

- Cast Aluminum Construction
- Buna-N Mechanical Seal and O-ring
- 1" NPT Suction and Discharge Ports
- Maximum Working Pressure 75 PSI
- 1/2 HP NEMA 56J Open Drip Proof (ODP) Motor with 8 Ft. 115 VAC Power Cord
- Maximum Temperature 180° F
- Maximum Suction Lift 6 Ft.
- (2) NPT Garden Hose Adapters and Carry Handle Included
- QSP – Quick Ship Pump

Model 2851-96

- Aluminum Construction
- Viton® Mechanical Seal and O-ring
- 1" NPT Suction and Discharge Ports
- Maximum Working Pressure 75 PSI
- 1/3 HP Open Drip Proof (ODP) Motor with 8 Ft. 115 VAC Power Cord
- Maximum Temperature 180° F
- Self-cleaning Impeller
- Maximum Suction Lift 15 Ft.
- (2) NPT Garden Hose Adapters, Base and Carry Handle Included
- QSP – Quick Ship Pump

Model 4850-97

- Cast Bronze Construction
- Buna-N Mechanical Seal and O-ring
- 3/4" NPT Suction and Discharge Ports
- Maximum Working Pressure 50 PSI
- 1/8 HP, 12 Volt DC Motor
- Maximum Temperature 180° F
- Maximum Suction Lift 4 Ft.
- QSP – Quick Ship Pump

Hazardous Duty/Explosion Proof motors available from stock ranging from 1 to 10 HP; CALL FOR QUOTATION & LEAD TIME!

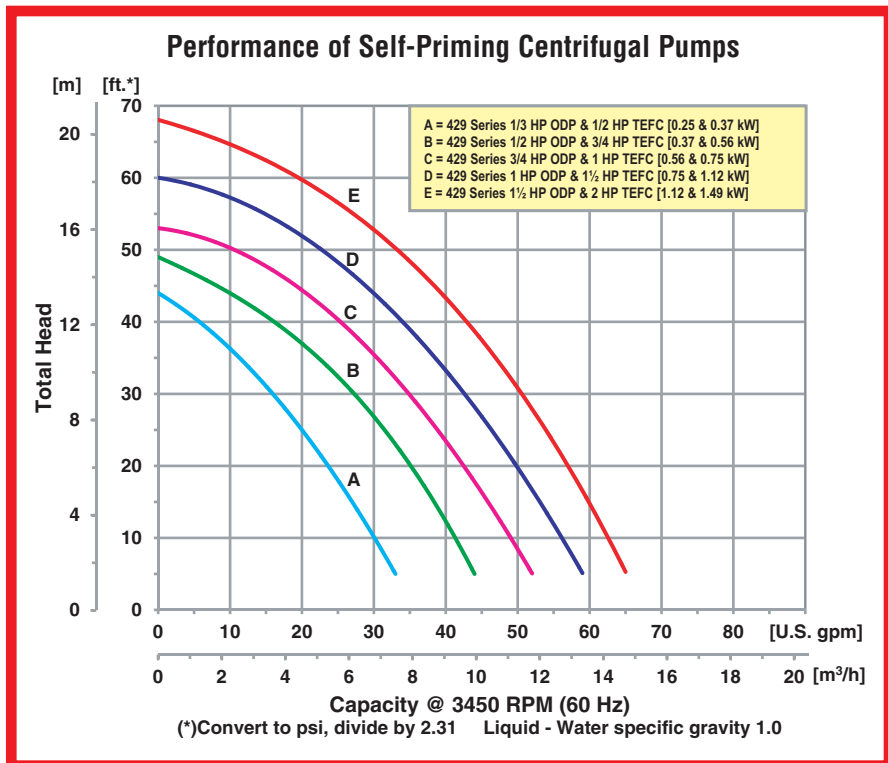
1" Self-Priming Stainless Steel Centrifugal Pumps

Model 429A-98

- **300 Series Investment Cast Stainless Steel Construction**
- **Viton® Mechanical Seal and O-Ring**
- **Handles Liquids and Chemicals with Specific Gravities up to 1.6**
- **1" NPT Suction and Discharge Ports**
- **Maximum Temperature 200° F**
- **Maximum Flow 66 GPM**
- **Maximum Head 68 Ft.**
- **Self-priming to 6 Ft.**
- **Self-Cleaning, Semi-Open Impeller**
- **1/3 to 2 HP Single or Three Phase Motors**



AMT 300 Series Investment Cast Stainless Steel Transfer pumps are designed to handle liquids and chemicals with specific gravities to 1.6. The pumps are particularly well suited to applications involving perchloroethylene (PCE) and are recommended for use with non-flammable liquids.



MESA AGRO-INDUSTRIAL CORP.

BOMBAS DE AGUA --FILTROS --COMPRESORES DE AIRE --GENERADORES DE ELECTRICIDAD
 TRACTORES E IMPLEMENTOS AGRICOLAS --PISTEROS Y SISTEMAS DE RIEGO --MANGAS --VALVULAS
 TELS. 939-338-0607 --787-636-2132 - FAX. 787-740-0960
 E-mail: mesaagro@hotmail.com - www.mesapr.com



For use with nonflammable liquids compatible with pump component materials. Viton® and Teflon® are registered trademarks of E. I. Dupont.

Pump Dimensional & Specification Data

Model	Curve	HP	PH	ENC	Voltage @ 60 Hz +	Full Load Amps	SUC*	DIS*	L**	W**	H	Ship Wt. (Lbs.)
4294-98	A	1/3	1	ODP	115/230	8/4	1	1	14.8 [37.6]	6.8 [17.3]	8.8 [22.3]	34
429A-98		1/2	1	TEFC	115/230	9/5			15.3 [38.8]	8.8 [22.3]	8.8 [22.3]	41
4295-98	B	1/2	1	ODP	115/230	10/5	1	1	15.0 [38.1]	6.8 [17.3]	8.8 [22.3]	38
429B-98		3/4	1	TEFC	115/230	9/5			15.8 [40.1]	8.8 [22.3]	8.8 [22.3]	43
429K-98		3/4	3	TEFC	230/460	3/2			15.3 [38.8]	8.8 [22.3]	8.8 [22.3]	40
4296-98	C	3/4	1	ODP	115/230	13/7	1	1	15.6 [39.6]	6.8 [17.3]	8.8 [22.3]	39
429C-98		1	1	TEFC	115/230	12/6			16.0 [40.6]	8.8 [22.3]	8.8 [22.3]	46
429L-98		1	3	TEFC	230/460	4/2			14.6 [37.1]	8.8 [22.3]	8.8 [22.3]	43
4297-98	D	1	1	ODP	115/230	17/9	1	1	15.8 [40.1]	6.8 [17.3]	8.8 [22.3]	42
429D-98		1½	1	TEFC	115/230	18/9			16.5 [41.9]	8.8 [22.3]	8.8 [22.3]	54
429M-98		1½	3	TEFC	230/460	5/3			16.3 [41.4]	8.8 [22.3]	8.8 [22.3]	51
4298-98	E	1½	1	ODP	115/230	22/11	1	1	16.3 [41.4]	6.8 [17.3]	8.8 [22.3]	45
429E-98		2	1	TEFC	115/230	22/11			17.3 [43.9]	8.8 [22.3]	8.8 [22.3]	65
429N-98		2	3	TEFC	230/460	6/3			16.8 [42.7]	8.8 [22.3]	8.8 [22.3]	62

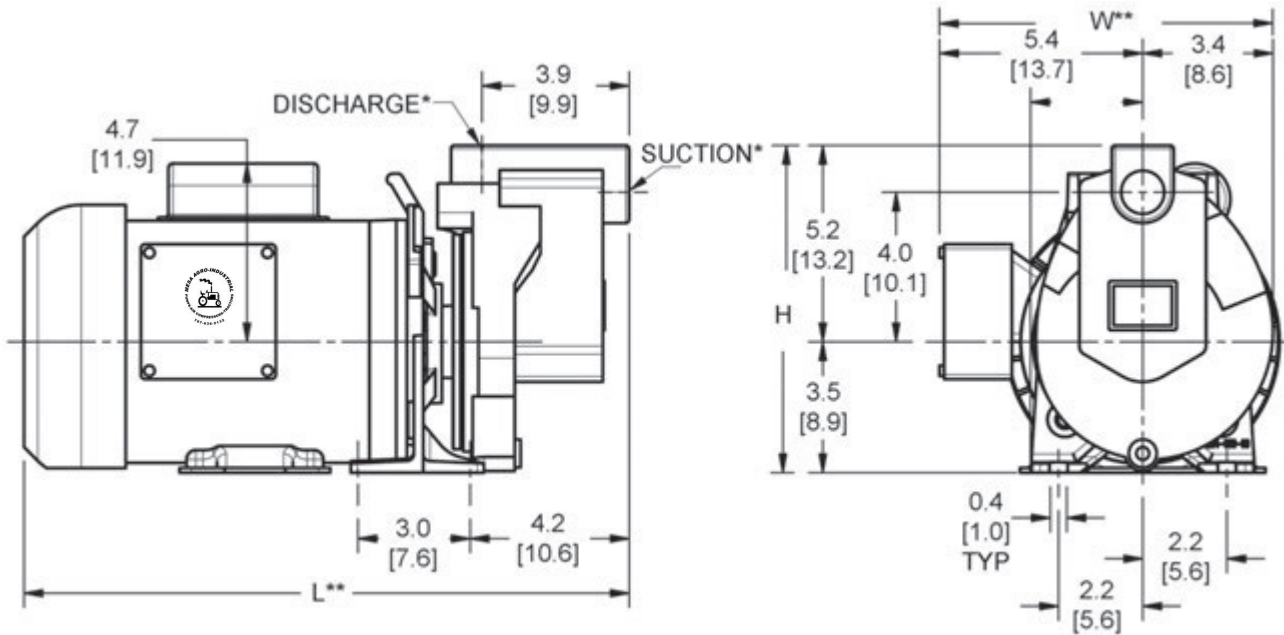
(*) Standard NPT (Female) pipe thread.

(**) This dimension may vary due to motor manufacturer's specifications.

(+) 3-Phase models can also operate on 50 Hz (This will change full load amps and service factor, RPM and priming capabilities).

NOTE: Dimensions are in inches (centimeters) and have a tolerance of $\pm 1/4"$.

NOTE: Electric supply for ALL motors must be within $\pm 10\%$ of nameplate voltage rating (e.g. 230V $\pm 10\%$ = 207 to 253).



Standard Features

- 300 Series Investment Cast Stainless Steel Construction
- Viton® Mechanical Seal and O-ring
- 1" NPT Suction and Discharge Ports
- ODP or TEFC Single and Three Phase Motors
- Maximum Working Pressure 75 PSI
- Maximum Temperature 200° F
- Self-cleaning, Semi-open Impeller
- QSP - Quick Ship Pump for Many Models

Hazardous Duty/Explosion Proof motors available from stock ranging from 1 to 10 HP; CALL FOR QUOTATION & LEAD TIME!

1" & 1-1/4" Self-Priming Cast Iron Centrifugal Pumps

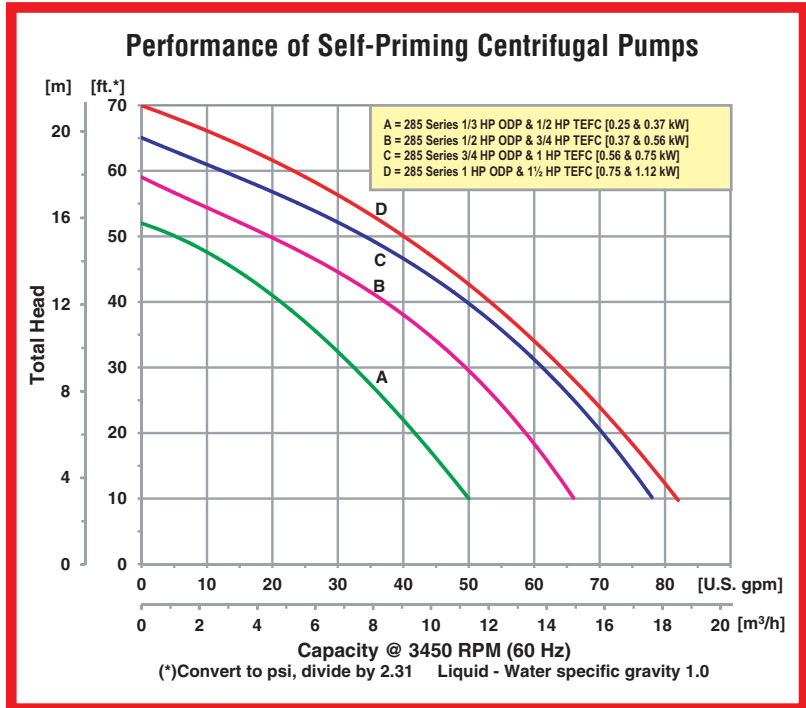


Model 285F-95

- **Cast Iron Construction**
- **Buna-N Mechanical Seal and O-Ring**
- **Optional Viton® or Silicon Carbide Mechanical Seal and O-Ring**
- **1" & 1-1/4" NPT Suction and Discharge Ports**
- **Maximum Temperature 180° F**
- **Maximum Flow 82 GPM**
- **Maximum Head 70 Ft.**
- **Self-Priming to 20 Ft.**
- **Self-Cleaning, Semi-Open Impeller**
- **1/3 to 1-1/2 HP Single or Three Phase Motors**



The AMT Self-Priming Cast Iron Centrifugal pumps are designed for circulating, boosting, washdown, liquid transfer and dewatering applications. Dual volute design reduces radial load on motor. The centerline discharge feature is specifically designed to prevent vapor binding and makes for convenient piping connections. All models are fitted with self-cleaning, semi-open impeller. The units will self-prime to 20 feet. Mounting base features 7/16" mounting holes, which are 6" OC (on center). Built-in carrying handle offers portability.



MESA AGRO-INDUSTRIAL CORP.
 BOMBAS DE AGUA --FILTROS --COMPRESORES DE AIRE --GENERADORES DE ELECTRICIDAD
 TRACTORES E IMPLEMENTOS AGRICOLAS --PISTEROS Y SISTEMAS DE RIEGO --MANGAS --VALVULAS
 TELS. 939-338-0607 --787-636-2132 - FAX. 787-740-0960
 E-mail: mesaagro@hotmail.com - www.mesapr.com



For use with nonflammable liquids compatible with pump component materials. Viton® and Teflon® are registered trademarks of E. I. Dupont.

Pump Dimensional & Specification Data

Model	Curve	HP	PH	ENC	Voltage @ 60 Hz +	Full Load Amps	SUC*	DIS*	L**	W**	H	Ship Wt. (Lbs.)
2851-95	A	1/3	1	ODP	115/230	8/4	1	1	16.8 [42.7]	6.8 [17.7]	7.2 [18.3]	38
285E-95		1/2	1	TEFC	115/230	9/5			17.3 [43.9]	8.8 [22.6]	7.2 [18.3]	42
2852-95	B	1/2	1	ODP	115/230	10/5	1 1/4	1 1/4	17.0 [43.2]	6.8 [17.7]	7.2 [18.3]	39
285F-95		3/4	1	TEFC	115/230	9/5			17.8 [45.2]	8.8 [22.6]	7.2 [18.3]	46
285P-95		3/4	3	TEFC	230/460	3/2			17.3 [43.9]	8.8 [22.6]	8.6 [21.8]	45
2853-95	C	3/4	1	ODP	115/230	13/7	1 1/4	1 1/4	17.5 [44.4]	6.8 [17.7]	7.2 [18.3]	43
285G-95		1	1	TEFC	115/230	12/6			18.0 [45.7]	8.8 [22.6]	7.2 [18.3]	50
285J-95		1	3	TEFC	230/460	4/2			16.6 [42.1]	8.8 [22.6]	8.6 [21.8]	48
2855-95	D	1	1	ODP	115/230	17/9	1 1/4	1 1/4	18.3 [46.5]	6.8 [17.7]	7.2 [18.3]	47
285H-95		1 1/2	1	TEFC	115/230	18/9			18.5 [47.0]	8.8 [22.6]	7.2 [18.3]	58
285K-95		1 1/2	3	TEFC	230/460	5/3			18.3 [46.5]	8.8 [22.6]	8.6 [21.8]	56

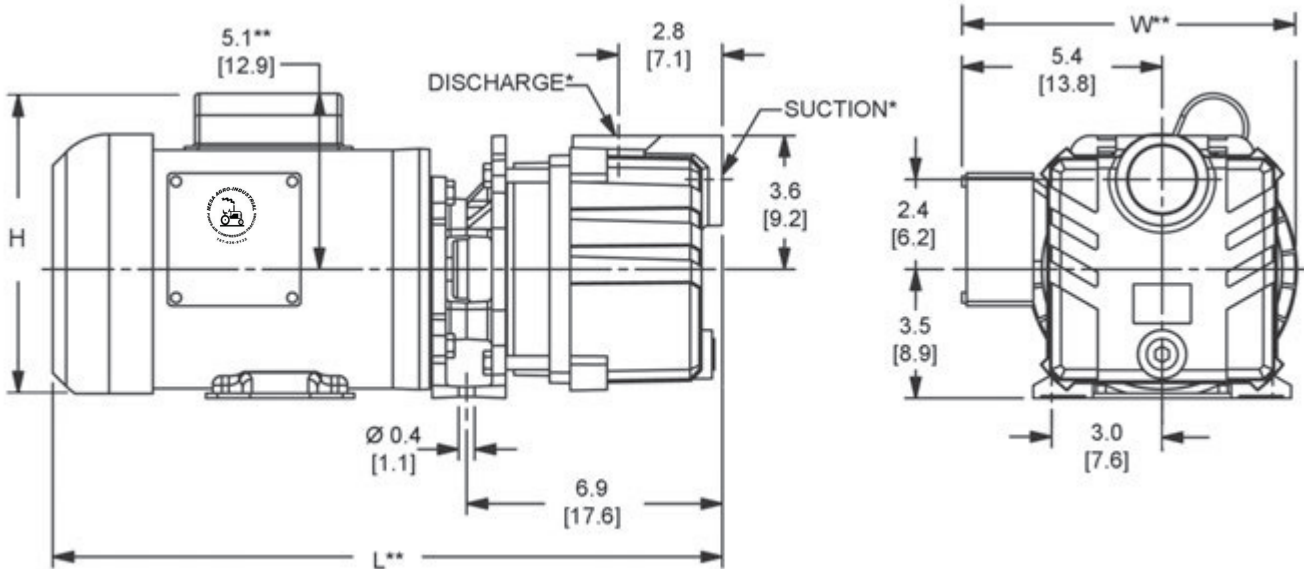
(*) Standard NPT (Female) pipe thread.

(**) This dimension may vary due to motor manufacturer's specifications.

(+) 3-Phase models can also operate on 50 Hz (This will change full load amps and service factor, RPM and priming capabilities).

NOTE: Dimensions are in inches (centimeters) and have a tolerance of $\pm 1/4"$.

NOTE: Electric supply for ALL motors must be within $\pm 10\%$ of nameplate voltage rating (e.g. 230V $\pm 10\%$ = 207 to 253).



Standard Features

- Cast Iron Construction
- Buna-N Mechanical Seal and O-Ring with optional Viton® or Silicon Carbide Mechanical Seal and O-ring
- 1" & 1-1/4" NPT Suction and Discharge Ports
- Dual Volute Design Reduces Radial Load on Motor
- Maximum Working Pressure 75 PSI
- Maximum Temperature 180° F
- Single or Three Phase, ODP or TEFC Motors Available
- Self-cleaning, Semi-open Impeller
- QSP – Quick Ship Pump for Many Models

Hazardous Duty/Explosion Proof motors available from stock ranging from 1 to 10 HP; CALL FOR QUOTATION & LEAD TIME!

1-1/2" Self-Priming Chemical Pumps

- Available in: Bronze or 300 Series Investment Cast Stainless Steel Construction with Stainless Steel Impeller
- Viton® or Teflon® Mechanical Seal and O-Ring – Depending on Model
- Dual Volute Design
- 1-1/2" NPT Suction and Discharge Ports
- Maximum Temperature
 - ♦ Bronze 200° F
 - ♦ Stainless Steel 250° F
- Maximum Flow 132 GPM
- Maximum Head 63 Ft.
- Self-Priming to 6 Ft.
- Self-Cleaning, Semi-Open Impeller
- 3/4 to 2 HP Totally Enclosed Fan Cooled (TEFC) Motor Single or Three Phase Motor

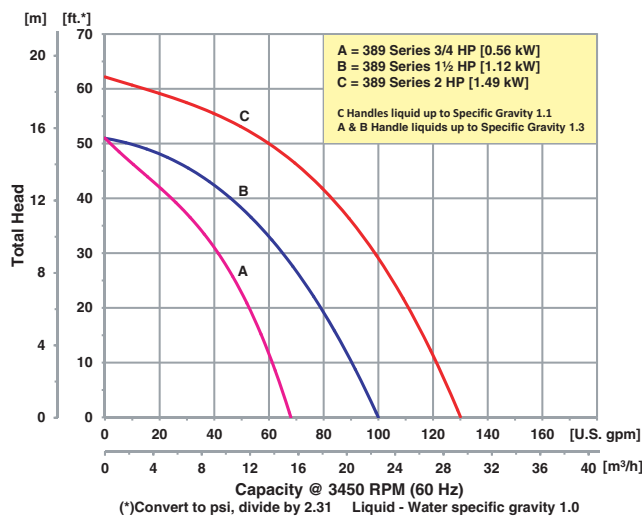


Model 3890-98
Stainless Steel

Model 3890-97
Bronze

AMT Self-Priming 300 Series Stainless Steel or Bronze Centrifugal pumps are designed for a wide range of applications including chemical processes, waste water treatment and pumping agriculture fertilizers/fumigants. All models are equipped with Totally Enclosed Fan Cooled (TEFC) motors. 300 Series Stainless Steel models are fitted with Teflon® mechanical seal and o-ring, while bronze models come standard with Viton® mechanical seal and o-ring. Pumps are self-priming to 6 feet. Pumps are designed to handle liquids with specific gravities up to 1.3 and viscosities to 100 SSU.

Performance of Self-Priming Centrifugal Pumps



MESA AGRO-INDUSTRIAL CORP.
 BOMBAS DE AGUA --FILTROS --COMPRESORES DE AIRE --GENERADORES DE ELECTRICIDAD
 TRACTORES E IMPLEMENTOS AGRICOLAS --PISTEROS Y SISTEMAS DE RIEGO --MANGAS --VALVULAS
 TELS. 939-338-0607 --787-636-2132 - FAX. 787-740-0960
 E-mail: mesaagro@hotmail.com - www.mesapr.com

For use with nonflammable liquids compatible with pump component materials. Viton® and Teflon® are registered trademarks of E. I. Dupont.

Pump Dimensional & Specification Data

Model ‡	Curve	HP	PH	ENC	Voltage @ 60 Hz +	Full Load Amps	SUC*	DIS*	L**	W**	H	‡ Ship Wt. (Lbs.)
3890	A	3/4	1	TEFC	115/230	9/5	1½	1½	15.8 [40.1]	8.8 [22.3]	9.5 [24.1]	45
3892			3		230/460	3/2			15.3 [38.8]	8.8 [22.3]	9.5 [24.1]	41
3891	B	1½	1	TEFC	115/230	18/9	1½	1½	16.5 [41.9]	8.8 [22.3]	9.5 [24.1]	56
3893			3		230/460	5/3			16.3 [41.4]	8.8 [22.3]	9.5 [24.1]	48
3894	C	2	3	TEFC	230/460	6/3	1½	1½	17.3 [43.9]	8.8 [22.3]	9.5 [24.1]	51
3899			-		PED	-			-	13.4 [34.0]	6.5 [16.5]	9.5 [24.1]

(*) Standard NPT (Female) pipe thread.

(**) This dimension may vary due to motor manufacturer's specifications.

(+) 3-Phase models can also operate on 50 Hz (This will change full load amps and service factor, RPM and priming capabilities).

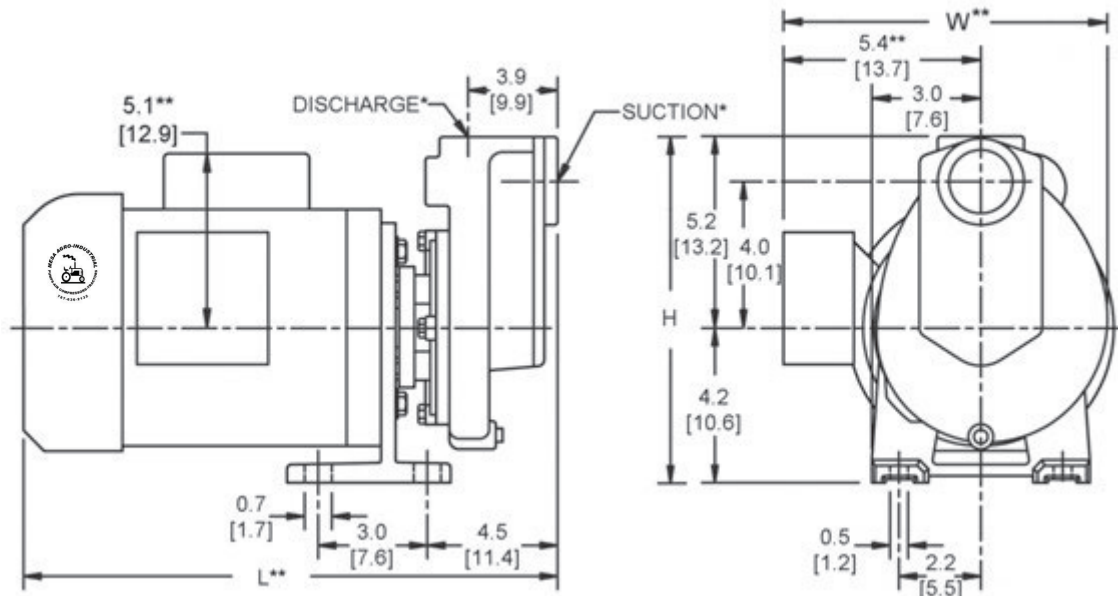
NOTE: Dimensions are in inches (centimeters) and have a tolerance of ± 1/4".

NOTE: Electric supply for ALL motors must be within ±10% of nameplate voltage rating (e.g. 230V ±10%= 207 to 253).

‡ Add Suffix -97 or -98 for Specific Model (Ex. 3890-97)

(-97) Cast Bronze Construction with Stainless Steel Impeller and Viton® Seals

(-98) Cast Stainless Steel Construction with Teflon® Seals



Standard Features

- Bronze or Stainless Steel Construction with Stainless Steel Impeller
- Viton® or Teflon® Mechanical Seal and O-ring - Depending on Model
- 1-1/2" NPT Suction and Discharge Ports
- Maximum Temperature
 - ♦ Bronze 200° F
 - ♦ Stainless Steel 250° F
- Self-priming to 6 Ft.
- Maximum Working Pressure 75 PSI
- Self-cleaning, Semi-open Impeller
- Pedestal Models Feature Epoxy Coated Bearing Housing with 3/4" Diameter Stainless Steel Shaft with 3/16" Keyway and Sealed Ball Bearings
- 3/4 to 2 HP Totally Enclosed Fan Cooled (TEFC) Single or Three Phase Motors
- **Designed to handle liquids of specific gravities up to 1.3**
- QSP - Quick Ship Pump for Many Models

Hazardous Duty/Xplosion Proof motors available from stock ranging from 1 to 10 HP; CALL FOR QUOTATION & LEAD TIME!

1-1/2" Self-Priming Centrifugal Pumps

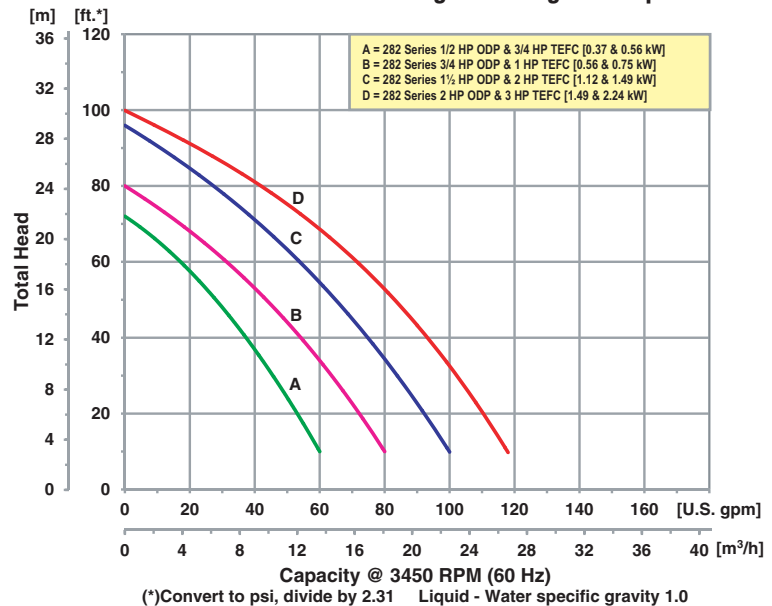
- **300 Series Investment Cast Stainless Steel Construction with Viton® Seals**
- **Cast Iron Construction with Buna-N Seals**
- **Optional Silicon Carbide Seals Available**
- **1-1/2" NPT Port Size**
- **Maximum Temperature**
 - ◆ **Stainless Steel 200° F**
 - ◆ **Cast Iron 180° F**
- **Maximum Flow 120 GPM**
- **Maximum Head 102 Ft. (44 PSI)**
- **Self-Priming up to 20 Feet with Built-in Check Valve**
- **Self-Cleaning, Clog Resistant Impeller**
- **1/2 to 3 HP 56J Single or Three Phase 3450 RPM Motors**

Model
282K-95



This line of AMT Self-Priming Centrifugal pumps is designed for industrial and commercial applications requiring high volume liquid transfer, waste water drainage and processing. These pumps feature a self-cleaning clog resistant impeller capable of handling up to 3/8" diameter semi-solids. Built-in flapper/check valve enables consistent self-priming to 20 feet. Dual volute design reduces radial load on motor. Stainless steel models are especially effective in applications where rust and/or corrosion can develop in systems and also are highly resistant to erosion and chemicals.

Performance of Self-Priming Centrifugal Pumps



MESA AGRO-INDUSTRIAL CORP.

BOMBAS DE AGUA --FILTROS --COMPRESORES DE AIRE --GENERADORES DE ELECTRICIDAD
 TRACTORES E IMPLEMENTOS AGRICOLAS --PISTEROS Y SISTEMAS DE RIEGO --MANGAS --VALVULAS
 TELS. 939-338-0607 --787-636-2132 - FAX. 787-740-0960
 E-mail: mesaagro@hotmail.com - www.mesapr.com



For use with nonflammable liquids compatible with pump component materials. Viton® and Teflon® are registered trademarks of E. I. Dupont.

Pump Dimensional & Specification Data



Model ‡	Curve	HP	PH	ENC	Voltage @ 60 Hz +	Full Load Amps	SUC*	DIS*	L**	W**	H	‡ Ship Wt. (Lbs.)
2827	A	1/2	1	ODP	115/230	10/5	1 1/2	1 1/2	16.7 [42.4]	7.3 [18.8]	9.9 [25.4]	54
282D		3/4	1	TEFC	115/230	9/5	1 1/2	1 1/2	17.4 [44.2]	9.1 [23.1]	9.9 [25.4]	60
282F		3/4	3	TEFC	230/460	3/2	1 1/2	1 1/2	17.0 [43.2]	9.1 [23.1]	9.9 [25.4]	53
2825	B	3/4	1	ODP	115/230	13/7	1 1/2	1 1/2	17.2 [43.7]	7.3 [18.8]	9.9 [25.4]	60
282C		1	1	TEFC	115/230	12/6	1 1/2	1 1/2	17.7 [45.0]	9.1 [23.1]	9.9 [25.4]	61
282K		1	3	TEFC	230/460	4/2	1 1/2	1 1/2	16.3 [41.4]	9.1 [23.1]	9.9 [25.4]	57
2821	C	1 1/2	1	ODP	115/230	22/11	1 1/2	1 1/2	18.0 [45.7]	7.3 [18.8]	9.9 [25.4]	65
2822		1 1/2	3	ODP	230/460	7/4	1 1/2	1 1/2	17.5 [44.4]	7.3 [18.8]	9.9 [25.4]	62
282A		2	1	TEFC	115/230	22/11	1 1/2	1 1/2	18.9 [48.0]	9.1 [23.1]	9.9 [25.4]	73
282B	D	2	3	TEFC	230/460	6/3	1 1/2	1 1/2	18.5 [47.0]	9.1 [23.1]	9.9 [25.4]	66
2828		2	1	ODP	115/230	28/14	1 1/2	1 1/2	18.0 [45.7]	7.3 [18.8]	9.9 [25.4]	73
282L		2	3	ODP	230/460	7/4	1 1/2	1 1/2	18.0 [45.7]	7.3 [18.8]	9.9 [25.4]	69
282E	D	3	1	TEFC	230	16	1 1/2	1 1/2	19.4 [49.2]	9.1 [23.1]	9.9 [25.4]	82
282M		3	3	TEFC	230/460	8/4	1 1/2	1 1/2	19.0 [48.2]	9.1 [23.1]	9.9 [25.4]	70

(*) Standard NPT (Female) pipe thread.

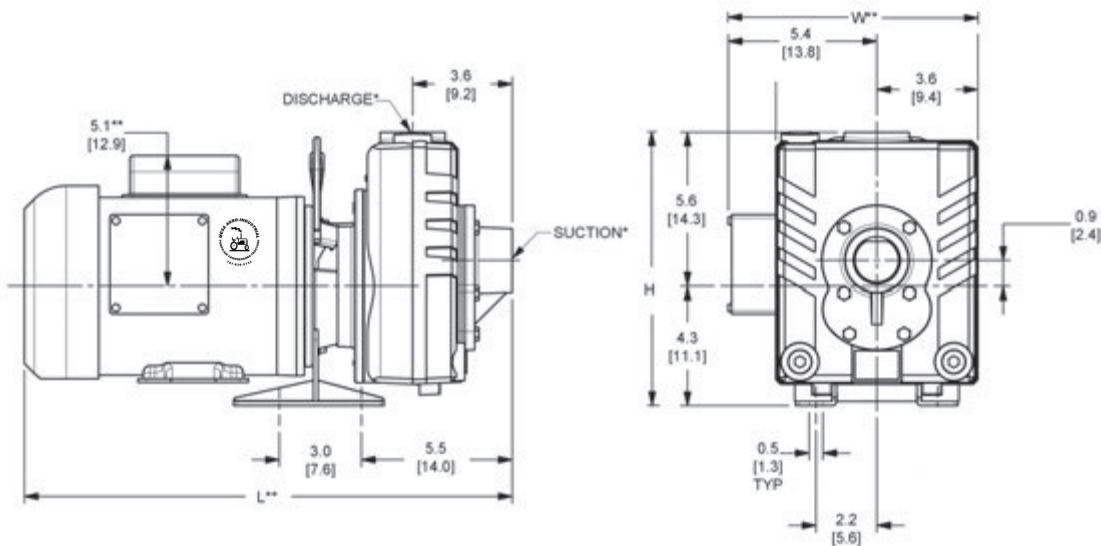
(**) This dimension may vary due to motor manufacturer's specifications.

(+) 3-Phase models can also operate on 50 Hz (This will change full load amps and service factor, RPM and priming capabilities).

NOTE: Dimensions are in inches (centimeters) and have a tolerance of $\pm 1/4"$.

NOTE: Electric supply for ALL motors must be within $\pm 10\%$ of nameplate voltage rating (e.g. 230V $\pm 10\%$ = 207 to 253).

‡ Add Suffix -95 or -98 for Specific Model (Ex. 2761-95 (-95) Cast Iron Construction with Buna-N Seals (-98) Cast Stainless Steel Construction with Viton® Sea



Standard Features

- 300 Series Investment Cast Stainless Steel Construction with Viton® Seals
- Cast Iron Construction with Buna-N Seals
- Handles 3/8" Diameter Semi-solids
- NEMA 56J Motors with Stainless Steel Shaft
- Maximum Working Pressure 75 PSI
- Available in ODP or TEFC, Single or Three Phase Motors
- Self-priming to 20 Ft.
- Self-cleaning, Clog Resistant Impeller
- Steel Base and Handle Included
- Dual Volute Design
- QSP – Quick Ship Pump for Many Models

Hazardous Duty/Explosion Proof motors available from stock ranging from 1 to 10 HP; CALL FOR QUOTATION & LEAD TIME!

1"-2" Self-Priming Chemical Pumps



Model
1SP07C-3P

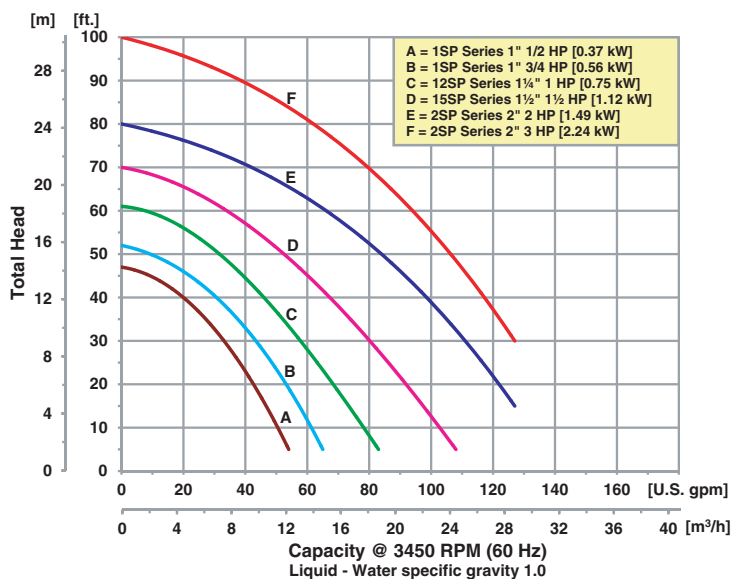
Model
2SP30C-3P

- **Cast Iron Construction with EPDM/EPR Seals**
- **Easy Cleanout Pull From Rear Design**
- **1" to 2" NPT Port Sizes**
- **Maximum Temperature 180° F**
- **Maximum Flow 130 GPM**
- **Maximum Head 100 Ft. (43 PSI)**
- **Self-Priming up to 20 Feet with Built-in Check Valve**
- **Self-Cleaning, Clog Resistant Impeller**
- **1/2 to 3 HP 56J Dual Cycle 50/60 Hz Single or Three Phase TEFC Motors**
- **Motors Feature 303 Stainless Steel Shaft**



This line of AMT Self-Priming Centrifugal pumps is designed for industrial and commercial applications requiring high volume liquid transfer, waste water drainage and chemical processing. These pumps feature a self-cleaning clog resistant impeller capable of handling up to 3/8" diameter semi-solid and EPDM/EPR seals for liquid chemical transfer with specific gravities up to 1.3. (Verify chemical capability with liquids) Built-in check valve enables consistent self-priming to 20 feet. Dual volute design reduces radial load on motor. Pumps feature Dual cycle 50/60 Hz TEFC motors.

Performance of Self-Priming Centrifugal Pumps



MESA AGRO-INDUSTRIAL CORP.

BOMBAS DE AGUA --FILTROS --COMPRESORES DE AIRE --GENERADORES DE ELECTRICIDAD
TRACTORES E IMPLEMENTOS AGRICOLAS --PISTEROS Y SISTEMAS DE RIEGO --MANGAS --VALVULAS
TELS. 939-338-0607 --787-636-2132 - FAX. 787-740-0960
E-mail: mesaagro@hotmail.com - www.mesapr.com



For use with nonflammable liquids compatible with pump component materials. Viton® and Teflon® are registered trademarks of E. I. DuPont.

Pump Dimensional & Specification Data

Model	Curve	HP	PH	ENC	Voltage @ 60 Hz +	Full Load Amps	SUC*	DIS*	L**	W**	H	Ship Wt. (Lbs.)	Maximum Solids Handling Capacity
1SP05C-1P	A	½	1	TEFC	115-208/230	9/5	1	1	18.0 [45.7]	9.3 [23.6]	9.3 [23.6]	55	1/4"
1SP05C-3P			3	TEFC	208-230/460	3/2	1	1	17.3 [43.9]	9.3 [23.6]	9.3 [23.6]	52	
1SP07C-1P	B	¾	1	TEFC	115-208/230	9/5	1	1	18.5 [47.0]	9.3 [23.6]	9.3 [23.6]	60	
1SP07C-3P			3	TEFC	208-230/460	3/2	1	1	18.0 [45.7]	9.3 [23.6]	9.3 [23.6]	53	
12SP10C-1P	C	1	1	TEFC	115-208/230	12/6	1¼	1¼	18.8 [47.7]	9.3 [23.6]	9.3 [23.6]	61	3/8"
12SP10C-3P			3	TEFC	208-230/460	4/2	1¼	1¼	17.3 [43.9]	9.3 [23.6]	9.3 [23.6]	57	
15SP15C-1P	D	1½	1	TEFC	115-208/230	22/11	1½	1½	20.5 [52.0]	11.0 [27.9]	11.0 [28.0]	83	1/2"
15SP15C-3P			3	TEFC	208-230/460	6/3	1½	1½	20.3 [51.5]	11.0 [27.9]	11.0 [28.0]	73	
2SP20C-1P	E	2	1	TEFC	115-208/230	28/14	2	2	21.3 [54.1]	11.0 [27.9]	11.0 [28.0]	85	
2SP20C-3P			3	TEFC	208-230/460	7/4	2	2	20.8 [52.8]	11.0 [27.9]	11.0 [28.0]	78	
2SP30C-1P	F	3	1	TEFC	208/230	16	2	2	21.8 [55.4]	11.0 [27.9]	11.0 [28.0]	94	
2SP30C-3P			3	TEFC	208-230/460	8/4	2	2	21.3 [54.1]	11.0 [27.9]	11.0 [28.0]	82	

(*) Standard NPT (Female) pipe thread.

(**) This dimension may vary due to motor manufacturer's specifications.

(+) 3-Phase motors can also operate on 50 Hz. (This will change full load amps, service factor and RPM)

NOTE: Dimensions are in inches (centimeters) and have a tolerance of ± 1/4".

NOTE: Electric supply for ALL motors must be within ±10% of nameplate voltage rating (e.g. 230V ±10%= 207 to 253).

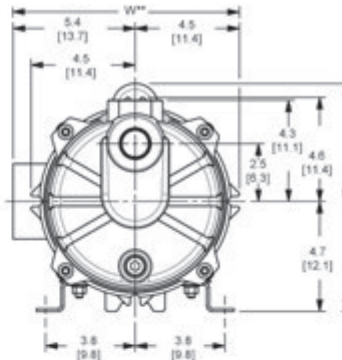
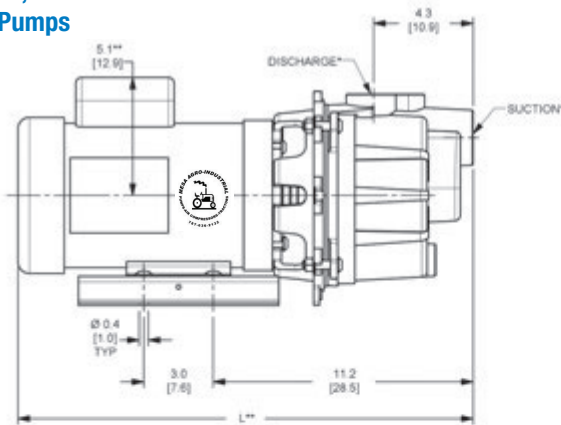
Do Not Use With Petroleum Based Liquids!

Standard Features

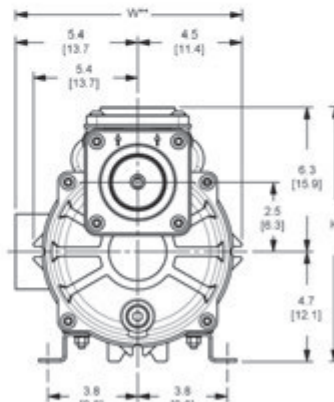
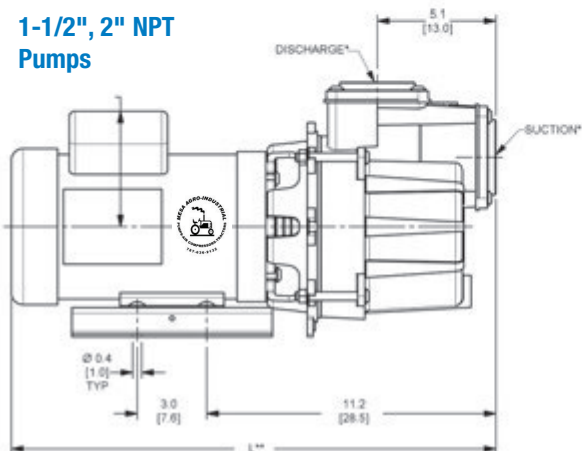
- Cast Iron Construction with EPDM/EPR Mechanical Seals
- Built-in Check Valve for Fast Priming
- NEMA 56J Motors with Stainless Steel Shafts
- Maximum Working Pressure 125 PSI
- Available in Dual 50/60 Hz TEFC, Single or Three Phase Motors
- Self-priming to 20 Ft.
- Self-cleaning, Clog Resistant Impellers
- **Designed to handle liquids of specific gravities up to 1.3**
- **Do Not Use With Petroleum Based Liquids!**
- QSP—Quick Ship for Many Models

Hazardous Duty/Explosion Proof motors available from stock ranging from 1 to 10 HP; CALL FOR QUOTATION & LEAD TIME!

1", 1-1/4" NPT Pumps



1-1/2", 2" NPT Pumps



2" Self-Priming Centrifugal Pumps

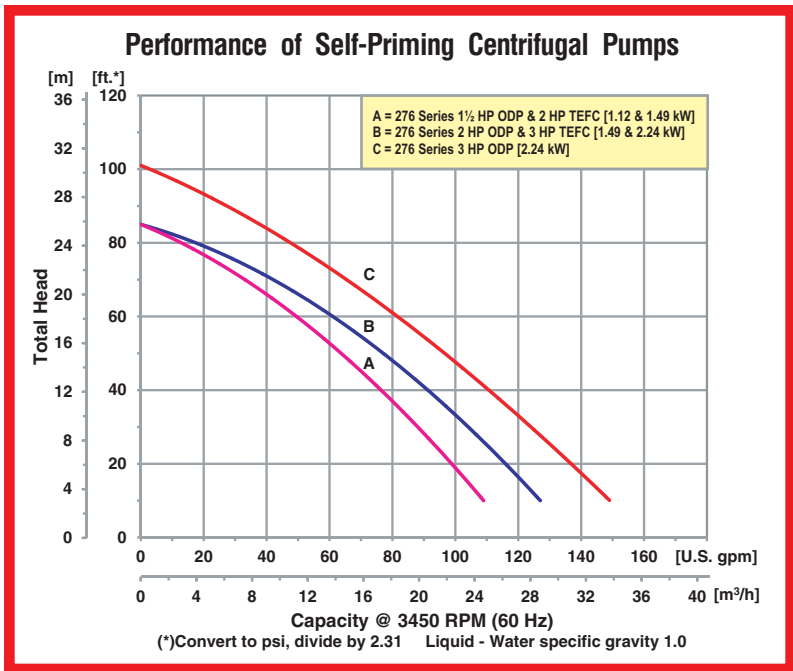


Model
276D-95

- **300 Series Investment Cast Stainless Steel Construction with Viton® Seals**
- **Cast Iron Construction with Buna-N Seals**
- **Optional Silicon Carbide Seals Available**
- **2" NPT Port Size**
- **Maximum Temperature**
 - ◆ **Stainless Steel 200° F**
 - ◆ **Cast Iron 180° F**
- **Maximum Flow 150 GPM**
- **Maximum Head 102 Ft. (44 PSI)**
- **Self-Priming up to 20 Feet with Built-in Check Valve**
- **Self-Cleaning, Clog Resistant Impeller**
- **1-1/2 to 3 HP Single or Three Phase 3450 RPM Motors**



This line of AMT Self-Priming Centrifugal pumps is designed for industrial and commercial applications requiring high volume liquid transfer, waste water drainage and processing. These pumps feature a self-cleaning clog resistant impeller capable of handling up to 3/8" diameter semi-solids. Built-in flapper/check valve enables consistent self-priming to 20 feet. Dual volute design reduces radial load on motor. Stainless steel models are especially effective in applications where rust and/or corrosion can develop in systems and also are highly resistant to erosion and chemicals.



MESA AGRO-INDUSTRIAL CORP.
 BOMBAS DE AGUA --FILTROS --COMPRESORES DE AIRE --GENERADORES DE ELECTRICIDAD
 TRACTORES E IMPLEMENTOS AGRICOLAS --PISTEROS Y SISTEMAS DE RIEGO --MANGAS --VALVULAS
 TELS. 939-338-0607 --787-636-2132 - FAX. 787-740-0960
 E-mail: mesaagro@hotmail.com - www.mesapr.com

For use with nonflammable liquids compatible with pump component materials. Viton® and Teflon® are registered trademarks of E. I. DuPont.

Pump Dimensional & Specification Data

Model ‡	Curve	HP	PH	ENC	Voltage @ 60 Hz +	Full Load Amps	SUC*	DIS*	L**	W**	H	‡ Ship Wt. (Lbs.)
2762	A	1½	1	ODP	115/230	17/9	2	2	19.3 [49.0]	7.5 [19.0]	11.1 [28.1]	73
2764		1½	3	ODP	230/460	7/4	2	2	18.8 [47.7]	7.5 [19.0]	11.1 [28.1]	70
276B		2	1	TEFC	115/230	22/11	2	2	20.3 [51.5]	9.1 [23.1]	11.1 [28.1]	81
276D		2	3	TEFC	230/460	6/3	2	2	19.8 [50.3]	9.1 [23.1]	11.1 [28.1]	74
2761	B	2	1	ODP	115/230	28/14	2	2	19.3 [49.0]	7.5 [19.0]	11.1 [28.1]	81
2763		2	3	ODP	230/460	7/4	2	2	19.3 [49.0]	7.5 [19.0]	11.1 [28.1]	77
276A		3	1	TEFC	230	16	2	2	20.8 [52.8]	9.1 [23.1]	11.1 [28.1]	90
276C		3	3	TEFC	230/460	8/4	2	2	20.3 [51.5]	9.1 [23.1]	11.1 [28.1]	78
2767	C	3	1	ODP	230	18	2	2	20.5 [52.1]	7.5 [19.0]	11.1 [28.1]	87
2766		3	3	ODP	230/460	9/5	2	2	20.3 [51.5]	7.5 [19.0]	11.1 [28.1]	87

(*) Standard NPT (Female) pipe thread.

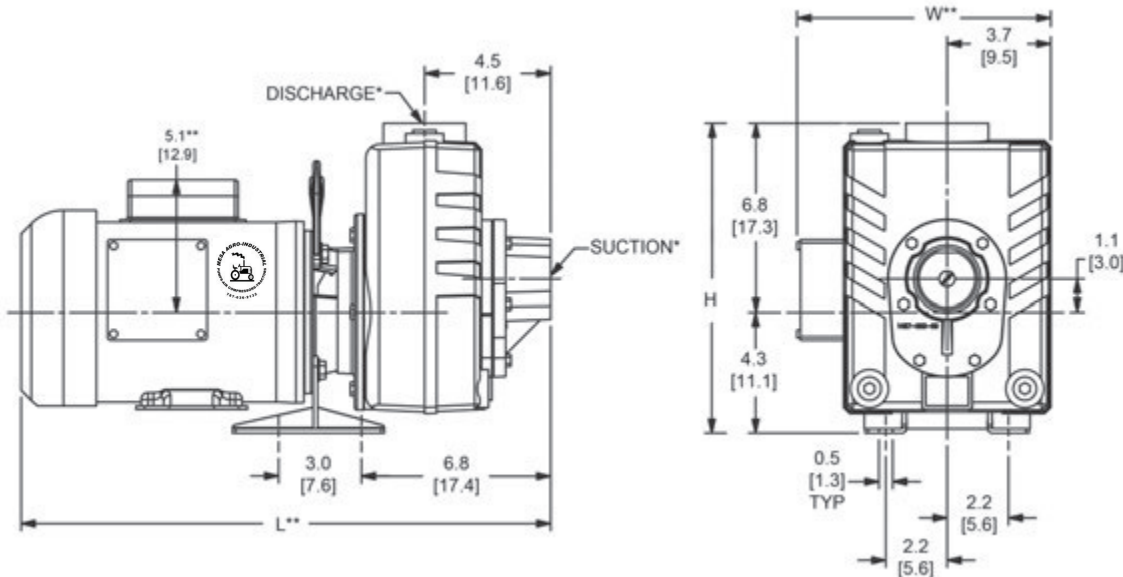
(**) This dimension may vary due to motor manufacturer's specifications.

(+) 3-Phase models can also operate on 50 Hz (This will change full load amps and service factor, RPM and priming capabilities).

NOTE: Dimensions are in inches (centimeters) and have a tolerance of ± 1/4".

NOTE: Electric supply for ALL motors must be within ±10% of nameplate voltage rating (e.g. 230V ±10%= 207 to 253).

‡ Add Suffix -95 or -98 for Specific Model (Ex. 2761-95)
(-95) Cast Iron Construction with Buna-N Seals
(-98) Cast Stainless Steel Construction with Viton® Seal



Standard Features

- 300 Series Investment Cast Stainless Steel Construction with Viton® Seals
- Cast Iron Construction with Buna-N Seals
- Handles 3/8" Diameter Semi-solids
- NEMA 56J Motors with Stainless Steel Shaft
- Maximum Working Pressure 75 PSI
- Available in ODP or TEFC, Single or Three Phase Motors
- Self-priming to 20 Ft.
- Self-cleaning, Clog Resistant Impeller
- Steel Base and Handle Included
- Dual Volute Design
- QSP - Quick Ship Pump for Many Models

Hazardous Duty/Xplosion Proof motors available from stock ranging from 1 to 10 HP; CALL FOR QUOTATION & LEAD TIME!

3" Self-Priming Centrifugal Pumps

3" Self-Priming Pump

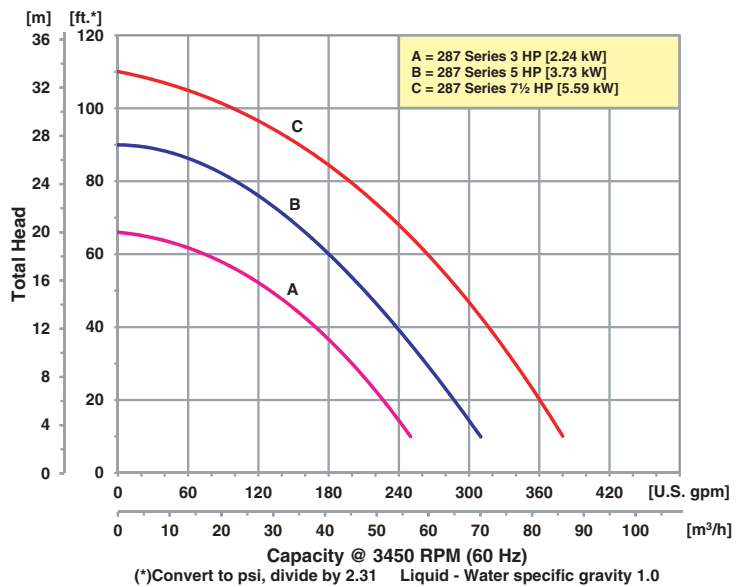


- **Cast Iron Construction with Stainless Steel Impeller**
- **Buna-N Mechanical Seal, Check Valve and O-Ring**
- **Optional Silicon Carbide Seal Available**
- **3" NPT Suction and Discharge Ports**
- **Maximum Solids Handling 3/8"**
- **Maximum Temperature 180° F**
- **Maximum Flow 375 GPM**
- **Maximum Head 110 Ft.**
- **Self-Priming to 20 Ft.**
- **Self-Cleaning, Semi-Open Impeller**
- **3 to 7-1/2 HP TEFC, Single and Three Phase Motors**
- **Optional Mounting Base Available**



AMT Self-Priming Cast Iron Centrifugal pumps are designed for a broad range of high capacity applications, including dewatering, liquid transfer, circulation, drainage and irrigation. Dual volute design reduces radial load on motor. The centerline discharge feature is specifically designed to prevent vapor binding and makes for convenient piping connections. All models are fitted with self-cleaning, semi-open stainless steel impeller, which can handle 3/8" diameter semi-solids. Built-in check valves for fast priming are standard on all units. Fill and drain plugs for easy installation and servicing.

Performance of Self-Priming Centrifugal Pumps



MESA AGRO-INDUSTRIAL CORP.
 BOMBAS DE AGUA --FILTROS --COMPRESORES DE AIRE --GENERADORES DE ELECTRICIDAD
 TRACTORES E IMPLEMENTOS AGRICOLAS --PISTEROS Y SISTEMAS DE RIEGO --MANGAS --VALVULAS
 TELS. 939-338-0607 --787-636-2132 - FAX. 787-740-0960
 E-mail: mesaagro@hotmail.com - www.mesapr.com

For use with nonflammable liquids compatible with pump component materials. Viton® and Teflon® are registered trademarks of E. I. DuPont.

Pump Dimensional & Specification Data

Model	Curve	HP	PH	Voltage @ 60 Hz +	Full Load Amps	Frame	SUC*	DIS*	A	B	C	L**	W**	H	Ship Wt. (Lbs.)
2877-95	A	3	1	230	16	184JM	3	3	3.7 [9.4]	17.1 [43.4]	5.5 [13.9]	29.1 [73.9]	13.7 [34.8]	11.8 [29.9]	133
2874-95		3	3	208-230/460	10/5	182JM	3	3	3.7 [9.4]	16.4 [41.6]	4.5 [11.4]	26.6 [67.6]	12.0 [30.5]	11.8 [29.9]	149
2878-95	B	5	1	230	21	184JM	3	3	3.7 [9.4]	17.1 [43.4]	5.5 [13.9]	29.1 [73.9]	13.1 [33.2]	11.8 [29.9]	205
2875-95		3	3	208-230/460	14/7	184JM	3	3	3.7 [9.4]	16.4 [41.6]	5.5 [13.9]	26.6 [67.6]	12.0 [30.5]	11.8 [29.9]	173
2879-95	C	7½	1	230	31	215JM	3	3	4.2 [10.6]	18.2 [46.2]	7.0 [17.8]	31.1 [79.0]	13.9 [35.3]	11.8 [29.9]	215
2876-95		3	3	208-230/460	20/10	184JM	3	3	3.7 [9.4]	16.4 [41.6]	5.5 [13.9]	26.6 [67.6]	12.0 [30.5]	11.8 [29.9]	176

(*) Standard NPT (Female) pipe thread.

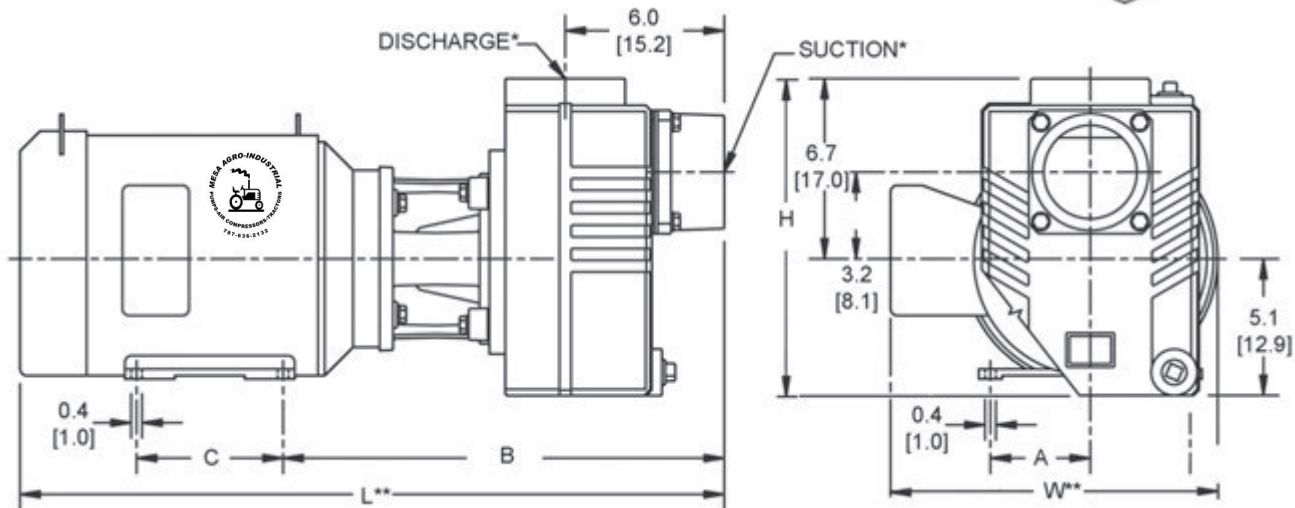
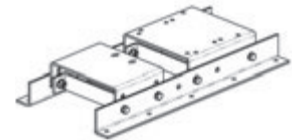
(**) This dimension may vary due to motor manufacturer's specifications.

(+) 3-Phase models can also operate on 50 Hz (This will change full load amps and service factor, RPM and priming capabilities).

NOTE: Dimensions are in inches (centimeters) and have a tolerance of ± 1/4".

NOTE: Electric supply for ALL motors must be within ±10% of nameplate voltage rating (e.g. 230V ±10%= 207 to 253).

Optional Mounting Base Model A200-90



Standard Features

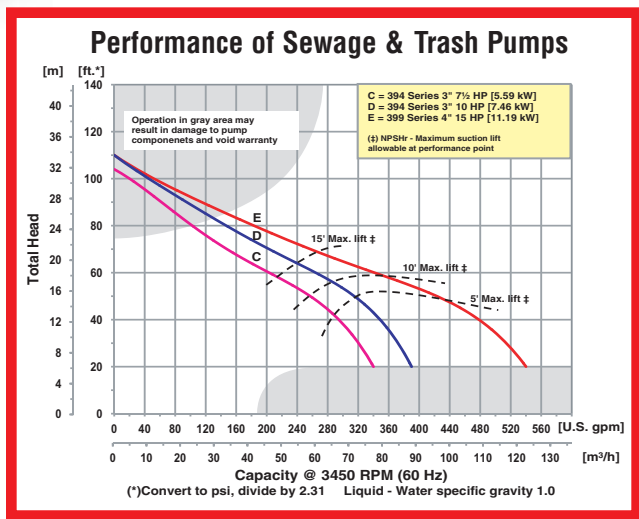
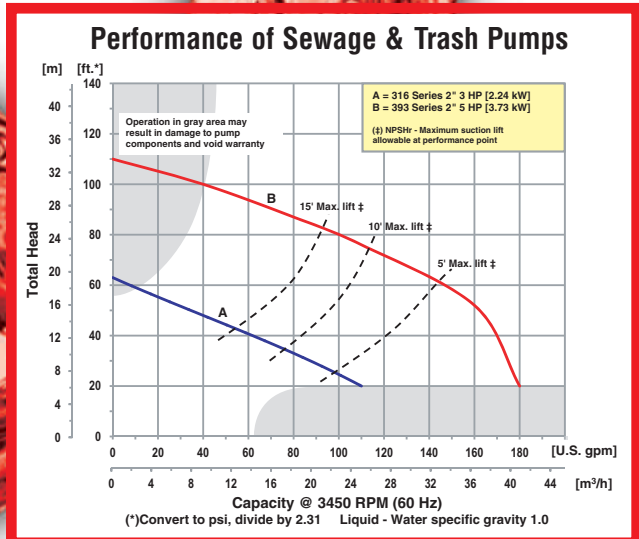
- Cast Iron Construction with Stainless Steel Impeller
- Buna-N Mechanical Seal and O-ring
- Optional Viton® Mechanical Seal and Flapper Valve Available
- Optional Silicon Carbide Seal Available
- 3" NPT Suction and Discharge Ports
- Stainless Steel Sleeve
- Dual Volute Design Reduces Radial Load on Motor
- Fill and Drain Plug for Easy Servicing
- Maximum Working Pressure 125 PSI
- Maximum Temperature 180° F
- Maximum Flow 375 GPM
- Maximum Head 110 Ft.
- Self-cleaning, Semi-open Impeller
- 3 to 7½ HP Totally Enclosed Fan Cooled (TEFC) Single or Three Phase Motors
- Optional Mounting Base Available on All Above Models
- QSP – Quick Ship Pump for Many Models

Hazardous Duty/Xplosion Proof motors available from stock ranging from 1 to 10 HP; CALL FOR QUOTATION & LEAD TIME!

Cast Iron Sewage & Trash Pumps



- **Cast Iron Construction**
- **Silicon Carbide/Viton® Mechanical Seal**
- **2", 3" & 4" NPT Ports Sizes**
- **Maximum Temperature 180° F**
- **Self-Priming to 20 Ft.**
- **Stainless Steel Semi-Open, Clog Resistant Impeller**
- **Buna-N Check Valve and O-Ring**
- **Removable Cast Iron Volute/Wearplate**
- **Easy Cleanout Design**
- **3" & 4" Models Feature Front Cleanout**
- **Pull-from-Rear Design**
- **Available with 3 to 15 HP Totally Enclosed Fan Cooled (TEFC) Electric Motors**



AMT Cast Iron Sewage/Trash pumps are designed for trouble free and economical handling of solids laden liquids and slurries. Pumps are available in three NPT port sizes: 2", 3" or 4". Cast iron construction with two vane stainless steel self-cleaning impellers, silicon carbide mechanical seals for abrasion resistance and Buna-N O-rings and check valves. Built-in check valve allows pump to reprime automatically in an open system without the foot valve. The solids handling capabilities of the pumps make them ideally suited for a variety of industrial applications including: sewage treatment, canneries, chemical processing, wineries, tanneries, meat packing, breweries, pulp, wood chips, process water, sludge and slime, waste water, white water and other applications. These sewage/trash pumps will easily handle liquids containing sewage, stones, sticks, mud and other solids. Minimum liquid requirement must be above 85% – maximum 15% solids. **Failure to do so may damage pump and void warranty.**

MESA AGRO-INDUSTRIAL CORP.
 BOMBAS DE AGUA --FILTROS --COMPRESORES DE AIRE --GENERADORES DE ELECTRICIDAD
 TRACTORES E IMPLEMENTOS AGRICOLAS --PISTEROS Y SISTEMAS DE RIEGO --MANGAS --VALVULAS
 TELS. 939-338-0607 --787-636-2132 - FAX. 787-740-0960
 E-mail: mesaagro@hotmail.com - www.mesapr.com



For use with nonflammable liquids compatible with pump component materials. Viton® and Teflon® are registered trademarks of E. I. DuPont.

Pump Dimensional & Specification Data

Model	HP	SUC*	DIS*	A**	B	C**	D	E	F	G	J**	K	L**	W**	H	Ship Wt. (Lbs.)
316B-95	3	2	2	2.5 [6.3]	2.1 [5.3]	3.8 [9.6]	4.0 [10.1]	4.8 [12.2]	3.1 [7.8]	6.1 [15.4]	11.1 [28.2]	2.4 [6.1]	20.3 [51.5]	9.3 [23.6]	8.8 [22.3]	94
316A-95	3	2	2	2.5 [6.3]	2.1 [5.3]	3.8 [9.6]	4.0 [10.1]	4.8 [12.2]	3.1 [7.8]	6.1 [15.4]	11.1 [28.2]	2.4 [6.1]	19.9 [50.5]	9.3 [23.6]	8.8 [22.3]	87
393B-95	5	2	2	3.8 [9.6]	2.1 [5.3]	5.5 [13.9]	5.2 [13.2]	4.8 [12.2]	3.1 [7.8]	6.9 [17.5]	14.8 [27.6]	4.4 [11.1]	27.4 [69.6]	13.4 [34.0]	10.0 [25.4]	189
393A-95	5	2	2	3.8 [9.6]	2.1 [5.3]	5.5 [13.9]	5.2 [13.2]	4.8 [12.2]	3.1 [7.8]	6.9 [17.5]	14.8 [27.6]	4.4 [11.1]	24.9 [63.2]	12.3 [31.2]	10.0 [25.4]	173
394B-95	7½	3	3	4.3 [10.9]	3.5 [8.8]	5.5 [13.9]	6.0 [15.2]	6.5 [16.5]	5.0 [12.7]	9.3 [23.6]	16.4 [41.6]	3.7 [9.4]	31.1 [79.0]	15.5 [39.4]	12.5 [31.7]	248
394A-95	7½	3	3	3.8 [9.6]	3.5 [8.8]	5.5 [13.9]	6.0 [15.2]	6.5 [16.5]	5.0 [12.7]	9.3 [23.6]	15.7 [39.7]	3.7 [9.4]	26.6 [67.5]	13.5 [34.3]	12.5 [31.7]	226
394F-95	10	3	3	4.3 [10.9]	3.5 [8.8]	7.0 [17.7]	6.1 [15.4]	9.0 [22.8]	8.8 [22.3]	12.5 [31.7]	19.7 [50.0]	3.7 [9.4]	34.3 [87.1]	15.5 [39.4]	15.1 [38.3]	450
394E-95	10	3	3	4.3 [10.9]	3.5 [8.8]	7.0 [17.7]	6.1 [15.4]	9.0 [22.8]	8.8 [22.3]	12.5 [31.7]	19.7 [50.0]	3.7 [9.4]	33.4 [84.8]	14.3 [36.3]	15.1 [38.3]	330
399C-95	15	4	4	4.3 [10.9]	3.5 [8.8]	7.0 [17.7]	6.1 [15.4]	9.0 [22.8]	8.8 [22.3]	12.5 [31.7]	19.7 [50.0]	3.7 [9.4]	33.4 [84.8]	14.3 [36.3]	15.1 [38.3]	350

(*) Standard NPT (Female) pipe thread.

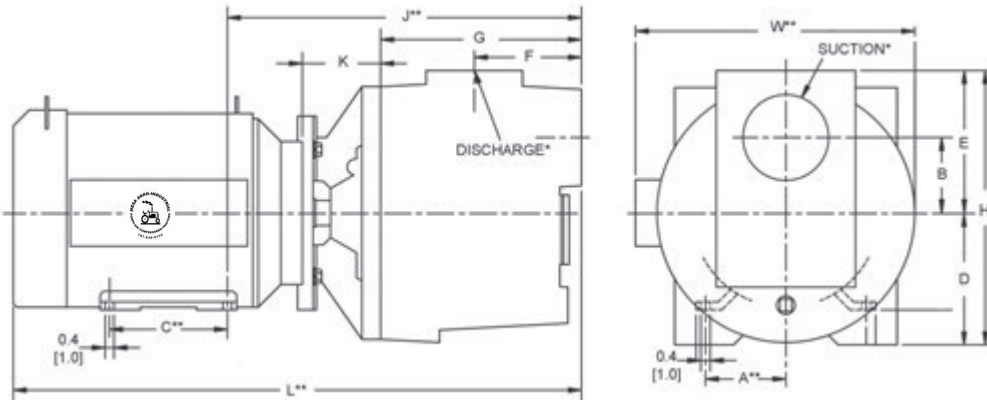
(**) This dimension may vary due to motor manufacturer's specifications.

NOTE: Dimensions are in inches (centimeters) and have a tolerance of ±1/4".

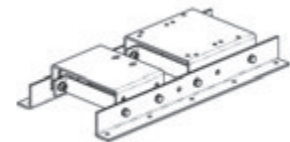
Model	Curve	HP	PH	ENC	Frame	Voltage @ 60 Hz +	Full Load Amps	Max Solids
316B-95	A	3	1	TEFC	56J	230	16	1"
316A-95			3			230/460	8/4	
393B-95	B	5	1	TEFC	184JM	230	20	1"
393A-95			3			230/460	17/9	
394B-95	C	7½	1	TEFC	215JM	230	31	1½"
394A-95			3		184JM	230/460	22/11	
394F-95	D	10	1	TEFC	215JM	230	40	1½"
394E-95			3		215JM	230/460	26/13	
399C-95	E	15	3	TEFC	215JM	230/460	47/24	2"

(+) 3-Phase models can also operate on 50 Hz (This will change full load amps and service factor, RPM and priming capabilities).

NOTE: Electric supply for ALL motors must be within ±10% of nameplate voltage rating (e.g. 230V ±10%= 207 to 253).



Optional Mounting Base Model A200-90



Standard Features

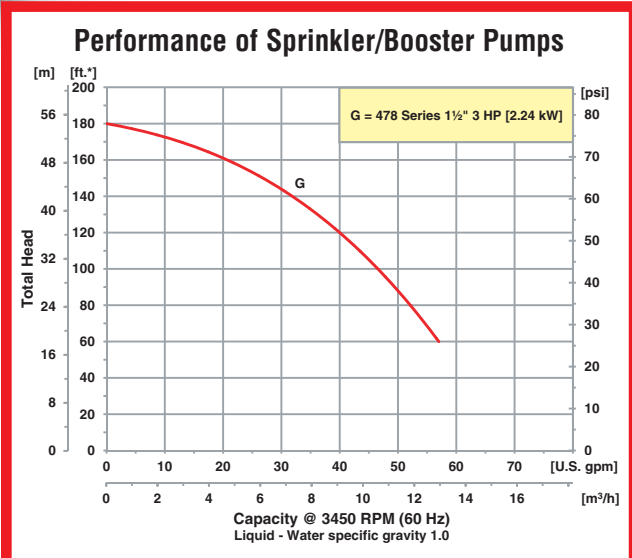
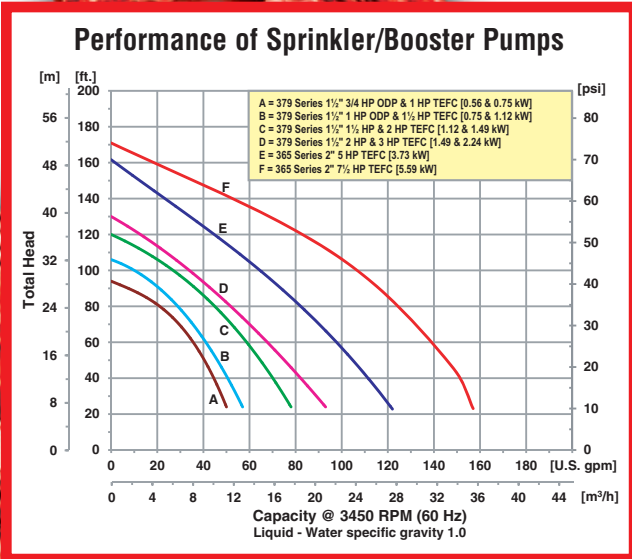
- Cast Iron Construction for Abrasive Resistance and Durability
- Silicon Carbide/Viton® Mechanical Seal
- Built-in Buna-N Check Valve
- Buna-N O-ring Casing Seal Reusable After Clean Out Maintenance
- Self-Cleaning Stainless Steel Impeller Resists Clogging and Wear
- Pull-from-Rear Design Permits Clean Out and Repair Without Removing Piping
- 3" & 4" Models Feature Front Cleanout
- Replaceable Cast Iron Volute/Wearplate Designed for Solids Handling
- Motor Includes Stainless Steel Shaft or Stainless Steel Shaft Sleeve
- Available with 3 to 15 HP Totally Enclosed Fan Cooled (TEFC) Electric Motors
- Single or Three Phase, 3450 RPM Motors
- Optional Mounting Base Available for 184/215 JM Frames
- Maximum Working Pressure 150 PSI
- Seal Flush Port Provided on 5 HP and Larger
- Optional Mounting Base Available
- QSP - Quick Ship Pump for Many Models

Hazardous Duty/Explosion Proof motors available from stock ranging from 1 to 10 HP; CALL FOR QUOTATION & LEAD TIME!

Sprinkler/Booster Pumps



Model
3790-95



- **Cast Iron Construction with 300 Series Investment Cast Stainless Steel Impellers**
- **Buna-N Mechanical Seal and O-Ring**
- **Optional Viton® Seal, Check Valve and O-Ring Available on Single Stage Models**
- **1-1/2" or 2" NPT Ports Sizes**
- **Maximum Temperature 180° F**
- **Maximum Flow 157 GPM**
- **Maximum Head 180 Ft.**
- **Self-Priming to 20 Ft.**
- **Single Stage (379/365 Series) Two Stage (478 Series) Construction**
- **Single Stage Models Feature Removable Dual Volute Design**
- **Available with 3/4 to 7-1/2 HP Single or Three Phase Motors**

AMT Sprinkler/Booster pumps feature 300 Series Investment cast stainless steel closed impellers for high efficiency and resistance against erosion caused by abrasive particles. All models self-prime to 20 feet. Single stage models feature dual volute design to reduce radial load on motor and a built-in check valve to ensure fast priming after initial liquid is added to the pump. Cast iron construction provides durability and low maintenance. Easy cleanout design includes replaceable dual volute/diffuser and casing o-ring for servicing. Two-stage models provide additional pressure in fractional horsepower sizes for multi-sprinkler head applications. Type 21 mechanical seals handle maximum working pressure to 150 PSI. Pumps are available from 3/4 to 7-1/2 HP with Open Drip Proof (ODP) or Totally Enclosed Fan Cooled (TEFC) motors.

MESA AGRO-INDUSTRIAL CORP.

BOMBAS DE AGUA --FILTROS --COMPRESORES DE AIRE --GENERADORES DE ELECTRICIDAD
TRACTORES E IMPLEMENTOS AGRICOLAS --PISTEROS Y SISTEMAS DE RIEGO --MANGAS --VALVULAS
TELS. 939-338-0607 --787-636-2132 - FAX. 787-740-0960
E-mail: mesaagro@hotmail.com - www.mesapr.com



For use with nonflammable liquids compatible with pump component materials. Viton® and Teflon® are registered trademarks of E. I. DuPont.

Pump Dimensional & Specification Data

Model	Curve	HP	PH	ENC	Voltage @ 60 Hz +	SUC*	DIS*	A	B	C	D	E	F	G	J	K	L**	W**	H	Ship Wt. (Lbs.)
3790-95	A	¾	1	ODP	115/230	1½	1½	2.2 [5.5]	2.1 [5.3]	2.9 [7.3]	4.4 [11.1]	4.7 [11.9]	3.1 [7.8]	6.2 [15.7]	0.5 [1.2]	0.7 [1.7]	18.1 [46.0]	8.0 [20.3]	9.1 [23.1]	66
379A-95		1	1	TEFC	115/230	1½	1½	2.2 [5.5]	2.1 [5.3]	2.9 [7.3]	4.4 [11.1]	4.7 [11.9]	3.1 [7.8]	6.2 [15.7]	0.5 [1.2]	0.7 [1.7]	18.6 [47.2]	9.3 [23.6]	9.1 [23.1]	67
379F-95		1	3	TEFC	230/460	1½	1½	2.2 [5.5]	2.1 [5.3]	2.9 [7.3]	4.4 [11.1]	4.7 [11.9]	3.1 [7.8]	6.2 [15.7]	0.5 [1.2]	0.7 [1.7]	17.1 [43.4]	9.3 [23.6]	9.1 [23.1]	63
3791-95	B	1	1	ODP	115/230	1½	1½	2.2 [5.5]	2.1 [5.3]	2.9 [7.3]	4.4 [11.1]	4.7 [11.9]	3.1 [7.8]	6.2 [15.7]	0.5 [1.2]	0.7 [1.7]	18.3 [46.4]	8.0 [20.3]	9.1 [23.1]	70
379B-95		1½	1	TEFC	115/230	1½	1½	2.2 [5.5]	2.1 [5.3]	2.9 [7.3]	4.4 [11.1]	4.7 [11.9]	3.1 [7.8]	6.2 [15.7]	0.5 [1.2]	0.7 [1.7]	19.1 [48.5]	9.3 [23.6]	9.1 [23.1]	77
379J-95		1½	3	TEFC	230/460	1½	1½	2.2 [5.5]	2.1 [5.3]	2.9 [7.3]	4.4 [11.1]	4.7 [11.9]	3.1 [7.8]	6.2 [15.7]	0.5 [1.2]	0.7 [1.7]	18.8 [47.7]	9.3 [23.6]	9.1 [23.1]	72
3792-95	C	1½	1	ODP	115/230	1½	1½	2.2 [5.5]	2.1 [5.3]	2.9 [7.3]	4.4 [11.1]	4.7 [11.9]	3.1 [7.8]	6.2 [15.7]	0.5 [1.2]	0.7 [1.7]	18.8 [47.7]	8.0 [20.3]	9.1 [23.1]	70
379C-95		2	1	TEFC	115/230	1½	1½	2.2 [5.5]	2.1 [5.3]	2.9 [7.3]	4.4 [11.1]	4.7 [11.9]	3.1 [7.8]	6.2 [15.7]	0.5 [1.2]	0.7 [1.7]	19.8 [50.3]	9.3 [23.6]	9.1 [23.1]	79
379E-95		2	3	TEFC	230/460	1½	1½	2.2 [5.5]	2.1 [5.3]	2.9 [7.3]	4.4 [11.1]	4.7 [11.9]	3.1 [7.8]	6.2 [15.7]	0.5 [1.2]	0.7 [1.7]	19.3 [49.0]	9.3 [23.6]	9.1 [23.1]	71
3793-95	D	2	1	ODP	115/230	1½	1½	2.2 [5.5]	2.1 [5.3]	2.9 [7.3]	4.4 [11.1]	4.7 [11.9]	3.1 [7.8]	6.2 [15.7]	0.5 [1.2]	0.7 [1.7]	18.8 [47.7]	8.0 [20.3]	9.1 [23.1]	79
379D-95		3	1	TEFC	230	1½	1½	2.2 [5.5]	2.1 [5.3]	2.9 [7.3]	4.4 [11.1]	4.7 [11.9]	3.1 [7.8]	6.2 [15.7]	0.5 [1.2]	0.7 [1.7]	20.3 [51.5]	9.3 [23.6]	9.1 [23.1]	87
379L-95		3	3	TEFC	230/460	1½	1½	2.2 [5.5]	2.1 [5.3]	2.9 [7.3]	4.4 [11.1]	4.7 [11.9]	3.1 [7.8]	6.2 [15.7]	0.5 [1.2]	0.7 [1.7]	19.8 [50.3]	9.3 [23.6]	9.1 [23.1]	76
3657-95	E	5	1	TEFC	230	2	2	3.7 [9.4]	2.1 [5.3]	5.5 [13.9]	4.5 [11.4]	4.7 [11.9]	3.1 [7.8]	15.9 [40.3]	0.4 [1.0]	0.4 [1.0]	27.4 [69.6]	13.4 [34.0]	10.0 [25.4]	165
3655-95		5	3	TEFC	230/460	2	2	3.7 [9.4]	2.1 [5.3]	5.5 [13.9]	4.5 [11.4]	4.7 [11.9]	3.1 [7.8]	15.9 [40.3]	0.4 [1.0]	0.4 [1.0]	25.0 [63.5]	12.3 [31.2]	10.0 [25.4]	157
3656-95	F	7½	3	TEFC	230/460	2	2	3.7 [9.4]	2.1 [5.3]	5.5 [13.9]	5.2 [13.2]	4.7 [11.9]	3.1 [7.8]	15.9 [40.3]	0.4 [1.0]	0.4 [1.0]	25.0 [63.5]	12.3 [31.2]	10.0 [25.4]	160
4782-95	G	3	1	ODP	115/230	1½	1½	2.2 [5.5]	2.1 [5.3]	2.9 [7.3]	4.4 [11.1]	4.7 [11.9]	3.1 [7.8]	6.6 [16.7]	0.5 [1.2]	0.7 [1.7]	19.7 [50.0]	8.0 [20.3]	9.1 [23.1]	91
4786-95		3	3	TEFC	230/460	1½	1½	2.2 [5.5]	2.1 [5.3]	2.9 [7.3]	4.4 [11.1]	4.7 [11.9]	3.1 [7.8]	6.6 [16.7]	0.5 [1.2]	0.7 [1.7]	19.9 [50.5]	8.0 [20.3]	9.1 [23.1]	86

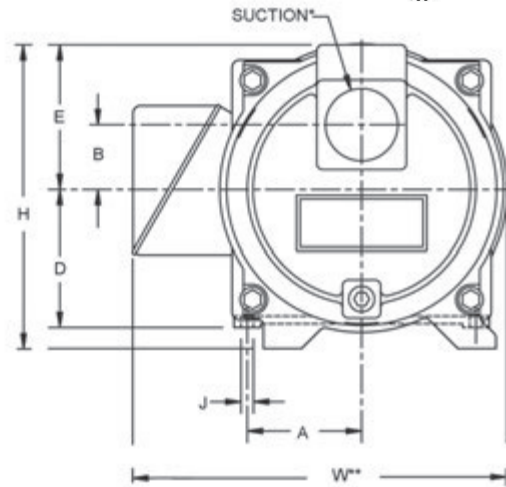
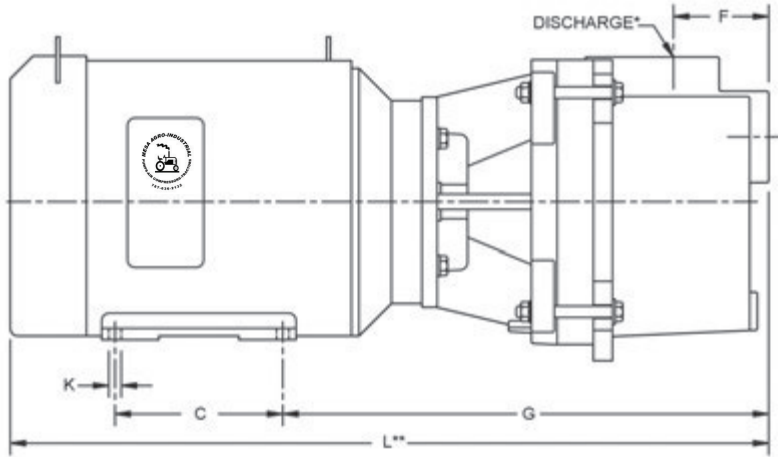
(*) Standard NPT (Female) pipe thread.

(**) This dimension may vary due to motor manufacturer's specifications.

(+) 3-Phase models can also operate on 50 Hz (This will change full load amps and service factor, RPM and priming capabilities).

NOTE: Dimensions are in inches (centimeters) and have a tolerance of ± 1/4".

NOTE: Electric supply for ALL motors must be within ±10% of nameplate voltage rating (e.g. 230V ±10%= 207 to 253).



Standard Features

- Cast Iron Construction with 300 Series Investment Cast Stainless Steel Impeller
- Buna-N Mechanical Seal and O-ring
- ODP & TEFC Motors Available on 1-1/2" NPT Single-stage Models
- Removable/Replaceable Volute/Diffuser
- Maximum Solids:
 - 365X Series—5/16"
 - 379X Series—1/16"
 - 478X Series—1/16"
- Single Stage Models Feature Removable Dual Volute Design
- Self-priming to 20 Feet
- Maximum Working Pressure to 150 PSI
- Maximum Temperature 180° F
- Optional Mounting Base for Pumps with JM Motors (**Model 365x Series**)
- QSP – Quick Ship Pump for Many Models