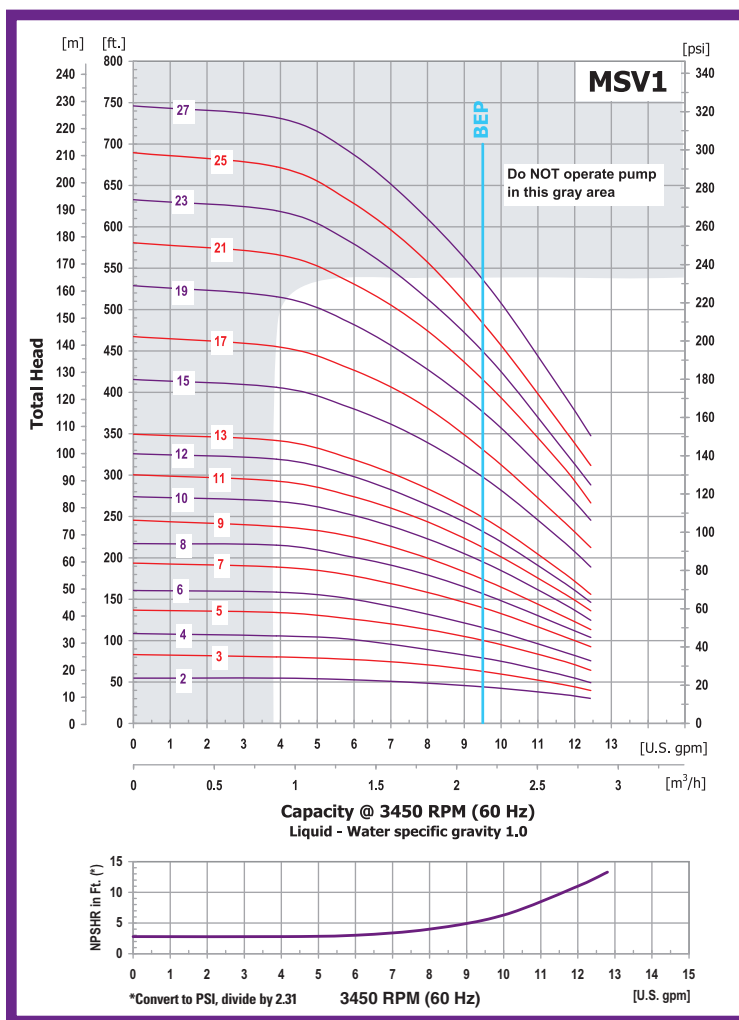


MSV1 Multistage Pumps

- **304 Series Stainless Steel Components with Teflon® Wear Rings**
- **Cast Iron Base & Adapter**
- **1" NPT Cast Iron Flanges**
- **NEMA 56C Dual Cycle 50/60 Hz, Single or Three Phase TEFC Motors**
- **EPDM/Tungsten Carbide Seal with Easy Replacement Feature**
- **Optional ANSI/ASME 250# Flange Kit**
- **Models Available in 2 thru 27 Stages**



These AMT commercial/industrial centrifugal pumps are non-self-priming (gravity feed) units designed to handle high-pressure low flow liquid transfer applications where no suction lift is required. Typical installations include: hot and chilled water, boiler feed, condensate return, irrigation, high pressure washdown, booster service, and fire protection/sprinkler systems—often referred to as a Jockey Pump. These pumps have NOT been investigated for use in potable (drinking) water systems.

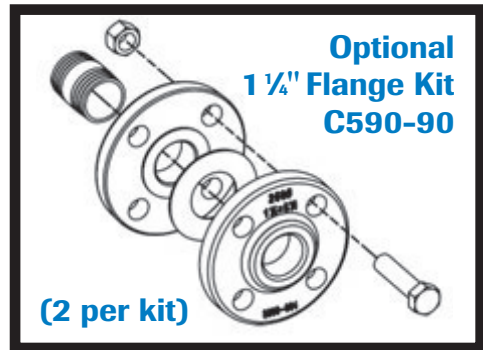
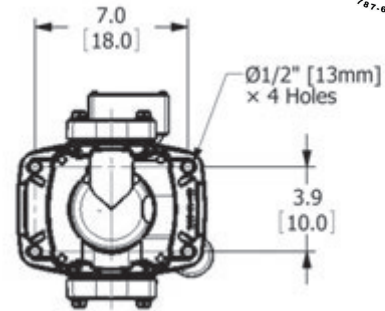
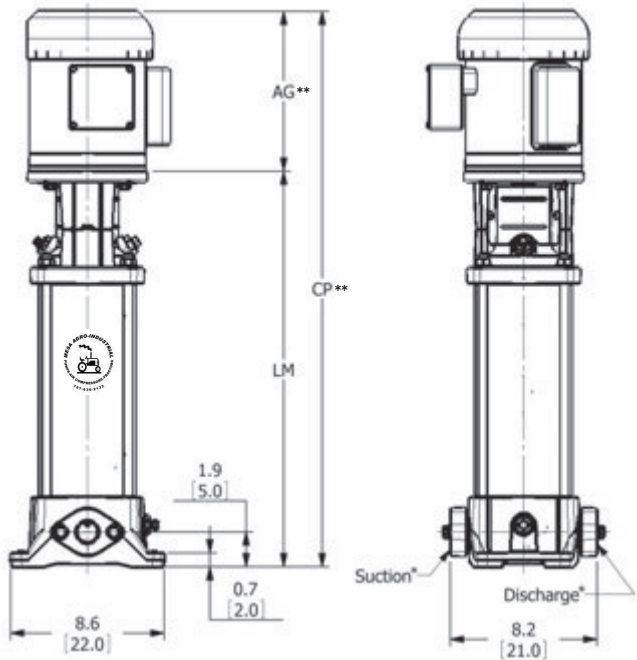


Maximum Working Pressure 232 PSI [1600 kPa] Maximum Temp 180° F

MESA AGRO-INDUSTRIAL CORP.
 BOMBAS DE AGUA --FILTROS --COMPRESORES DE AIRE --GENERADORES DE ELECTRICIDAD
 TRACTORES E IMPLEMENTOS AGRICOLAS --PISTEROS Y SISTEMAS DE RIEGO --MANGAS --VALVULAS
 TELS. 939-338-0607 --787-636-2132 - FAX. 787-740-0960
 E-mail: mesaagro@hotmail.com - www.mesapr.com



For use with nonflammable liquids compatible with pump component materials. Viton® and Teflon® are registered trademarks of E. I. DuPont.



Pumps are interchangeable with Grundfos CR1 Series

SPECIFICATIONS AND DIMENSIONS

*1" NPT (Female) Suction & Discharge Ports

MODEL ▲	STAGES	HP	AG**	LM	CP**	Ship Wt.	
						1 PHASE (-1P)	3 PHASE (-3P)
MSV1-2	2	1/2	9.0 [23.0]	10.9 [27.9]	20.0 [50.8]	59 lbs. [27 kgs.]	56 lbs. [25 kgs.]
MSV1-3	3	1/2	9.0 [23.0]	10.9 [27.9]	20.0 [50.8]	60 lbs. [27 kgs.]	57 lbs. [26 kgs.]
MSV1-4	4	1/2	9.0 [23.0]	11.6 [29.7]	20.7 [52.6]	61 lbs. [28 kgs.]	57 lbs. [26 kgs.]
MSV1-5	5	1/2	9.0 [23.0]	12.3 [31.5]	21.4 [54.4]	62 lbs. [28 kgs.]	58 lbs. [26 kgs.]
MSV1-6	6	3/4	9.0 [23.0]	13.0 [33.3]	22.1 [56.2]	68 lbs. [31 kgs.]	60 lbs. [27 kgs.]
MSV1-7	7	3/4	9.0 [23.0]	13.8 [35.1]	22.8 [58.0]	69 lbs. [31 kgs.]	61 lbs. [28 kgs.]
MSV1-8	8	1	10.2 [26.0]	14.5 [36.9]	24.7 [62.8]	70 lbs. [32 kgs.]	66 lbs. [30 kgs.]
MSV1-9	9	1	10.2 [26.0]	15.2 [38.7]	25.4 [64.6]	71 lbs. [32 kgs.]	67 lbs. [30 kgs.]
MSV1-10	10	1	10.2 [26.0]	15.9 [40.5]	26.1 [66.4]	72 lbs. [33 kgs.]	68 lbs. [31 kgs.]
MSV1-11	11	1 1/2	10.2 [26.0]	16.6 [42.3]	26.8 [68.2]	77 lbs. [35 kgs.]	72 lbs. [33 kgs.]
MSV1-12	12	1 1/2	10.2 [26.0]	17.3 [44.1]	27.5 [70.0]	78 lbs. [35 kgs.]	72 lbs. [33 kgs.]
MSV1-13	13	1 1/2	10.2 [26.0]	18.0 [45.9]	28.2 [71.8]	79 lbs. [36 kgs.]	73 lbs. [33 kgs.]
MSV1-15	15	2	11.4 [29.0]	19.4 [49.5]	30.8 [78.4]	87 lbs. [34 kgs.]	80 lbs. [36 kgs.]
MSV1-17	17	2	11.4 [29.0]	20.8 [53.1]	32.2 [82.0]	89 lbs. [35 kgs.]	81 lbs. [37 kgs.]
MSV1-19	19	2	11.4 [29.0]	22.3 [56.7]	33.7 [85.6]	90 lbs. [35 kgs.]	83 lbs. [38 kgs.]
MSV1-21	21	3	11.8 [30.0]	23.7 [60.3]	35.5 [90.2]	101 lbs. [46 kgs.]	89 lbs. [40 kgs.]
MSV1-23	23	3	11.8 [30.0]	25.1 [63.9]	36.9 [93.8]	102 lbs. [46 kgs.]	91 lbs. [41 kgs.]
MSV1-25	25	3	11.8 [30.0]	26.5 [67.5]	38.3 [97.4]	104 lbs. [47 kgs.]	92 lbs. [42 kgs.]
MSV1-27	27	3	11.8 [30.0]	27.9 [71.1]	39.7 [101]	106 lbs. [48 kgs.]	94 lbs. [43 kgs.]

NOTE: Dimensions are in inches (centimeters) and have a tolerance of ±1/8"

** Dimension may vary due to motor manufacturer's specifications.

▲ When Ordering Add the Correct Suffix (-?P) to Model Number Indicating Phase (ex. MSV1-2-1P)

SINGLE PHASE (-1P) VOLTAGES	60HZ= 1/2 HP - 2 HP 115/208-230 VAC and 3 HP 208-230 VAC 50HZ= 110/220 VAC except 3 HP 220 VAC ONLY
THREE PHASE (-3P) VOLTAGES	60HZ= 1/2 HP - 3 HP 208-230/460 VAC 50HZ= 190/380 VAC

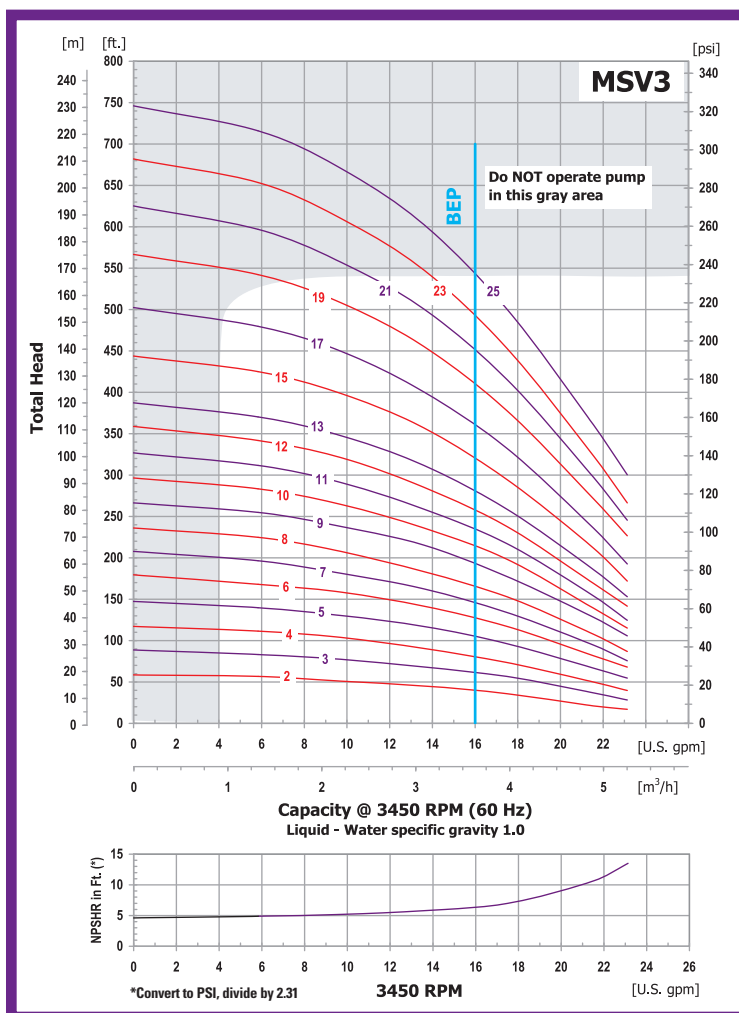
NOTE: Electric supply for ALL motors must be within ± 10% of nameplate voltage rating (e.g. 230V ± 10% = 207 to 253.)

MSV3 Multistage Pumps

- **304 Series Stainless Steel Components with Teflon® Wear Rings**
- **Cast Iron Base & Adapter**
- **1" NPT Cast Iron Flanges**
- **NEMA 56C or 182/4 TC Dual Cycle 50/60 Hz, Single or Three Phase TEFC Motors**
- **EPDM/Tungsten Carbide Seal with Easy Replacement Feature**
- **Optional ANSI/ASME 250# Flange Kit**
- **Models Available in 2 thru 25 Stages**



These AMT commercial/industrial centrifugal pumps are non-self-priming (gravity feed) units designed to handle high-pressure low flow liquid transfer applications where no suction lift is required. Typical installations include: hot and chilled water, boiler feed, condensate return, irrigation, high pressure washdown, booster service, and fire protection/sprinkler systems—often referred to as a Jockey Pump. These pumps have NOT been investigated for use in potable (drinking) water systems.



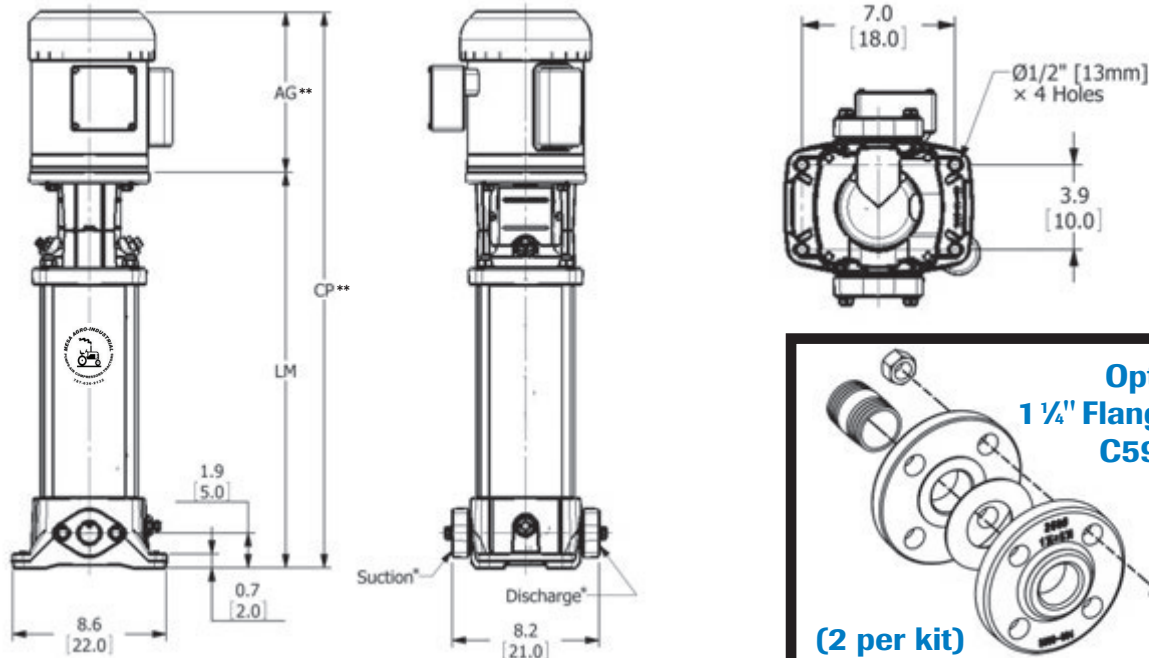
Maximum Working Pressure 232 PSI [1600 kPa] Maximum Temp 180° F

MESA AGRO-INDUSTRIAL CORP.

BOMBAS DE AGUA --FILTROS --COMPRESORES DE AIRE --GENERADORES DE ELECTRICIDAD
 TRACTORES E IMPLEMENTOS AGRICOLAS --PISTEROS Y SISTEMAS DE RIEGO --MANGAS --VALVULAS
 TELS. 939-338-0607 --787-636-2132 - FAX. 787-740-0960
 E-mail: mesaagro@hotmail.com - www.mesapr.com



For use with nonflammable liquids compatible with pump component materials. Viton® and Teflon® are registered trademarks of E. I. DuPont.



Pumps are interchangeable with Grundfos CR3 Series

SPECIFICATIONS AND DIMENSIONS

*1" NPT (Female) Suction and Discharge Ports

MODEL ▲	STAGES	HP	AG**	LM	CP**	Ship Wt.	
						1 PHASE (-1P)	3 PHASE (-3P)
MSV3-2	2	1	10.2 [26.0]	10.9 [27.9]	21.1 [53.8]	66 lbs. [30 kgs.]	62 lbs. [28 kgs.]
MSV3-3	3	1	10.2 [26.0]	10.9 [27.9]	21.1 [53.8]	67 lbs. [30 kgs.]	63 lbs. [28 kgs.]
MSV3-4	4	1	10.2 [26.0]	11.6 [29.7]	21.9 [55.6]	68 lbs. [31 kgs.]	64 lbs. [29 kgs.]
MSV3-5	5	1	10.2 [26.0]	12.3 [31.5]	22.6 [57.4]	69 lbs. [31 kgs.]	64 lbs. [29 kgs.]
MSV3-6	6	1	10.2 [26.0]	13.0 [33.3]	23.3 [59.2]	70 lbs. [32 kgs.]	65 lbs. [30 kgs.]
MSV3-7	7	1½	10.2 [26.0]	13.8 [35.1]	24.0 [61.0]	75 lbs. [34 kgs.]	69 lbs. [31 kgs.]
MSV3-8	8	1½	10.2 [26.0]	14.5 [36.9]	24.7 [62.8]	75 lbs. [34 kgs.]	70 lbs. [32 kgs.]
MSV3-9	9	1½	10.2 [26.0]	15.2 [38.7]	25.4 [64.6]	76 lbs. [35 kgs.]	71 lbs. [32 kgs.]
MSV3-10	10	2	11.4 [29.0]	15.9 [40.5]	27.3 [69.4]	84 lbs. [38 kgs.]	77 lbs. [35 kgs.]
MSV3-11	11	2	11.4 [29.0]	16.6 [42.3]	28.0 [71.2]	85 lbs. [38 kgs.]	77 lbs. [35 kgs.]
MSV3-12	12	2	11.4 [29.0]	17.3 [44.1]	28.7 [73.0]	85 lbs. [39 kgs.]	78 lbs. [35 kgs.]
MSV3-13	13	3	11.8 [30.0]	18.0 [45.9]	29.8 [75.8]	95 lbs. [43 kgs.]	83 lbs. [38 kgs.]
MSV3-15	15	3	11.8 [30.0]	19.4 [49.5]	31.2 [79.4]	97 lbs. [44 kgs.]	85 lbs. [39 kgs.]
MSV3-17	17	3	11.8 [30.0]	20.8 [53.1]	32.6 [83.0]	98 lbs. [45 kgs.]	87 lbs. [39 kgs.]
MSV3-19	19	3	11.8 [30.0]	22.3 [56.7]	34.1 [86.6]	100 lbs. [45 kgs.]	88 lbs. [40 kgs.]
MSV3-21+	21+	5+	15.0 [38.3]	24.5 [62.5]	39.6 [100.8]	N/A	94 lbs. [43 kgs.]
MSV3-23+	23+	5+	15.0 [38.3]	26.0 [66.1]	41.1 [104.4]	N/A	95 lbs. [43 kgs.]
MSV3-25+	25+	5+	15.0 [38.3]	27.4 [69.7]	42.5 [108.0]	N/A	97 lbs. [44 kgs.]

+ MSV3-21/23/25: Available in 3 HP electric only. These use TC motors with approximate diameter of 8.8 [22.5]

NOTE: Dimensions are in inches (centimeters) and have a tolerance of ±1/8"

** Dimension may vary due to motor manufacturer's specifications.

▲ When Ordering Add the Correct Suffix (-?P) to Model Number Indicating Phase (ex. MSV3-2-1P)

SINGLE PHASE (-1P) VOLTAGES	60HZ= 1 HP - 2 HP 115/208-230 VAC and 3 HP 208-230 VAC 50HZ= 110/220 VAC except 3 HP 220 VAC ONLY
THREE PHASE (-3P) VOLTAGES	60HZ= 1 HP - 5 HP 208-230/460 VAC 50HZ= 190/380 VAC

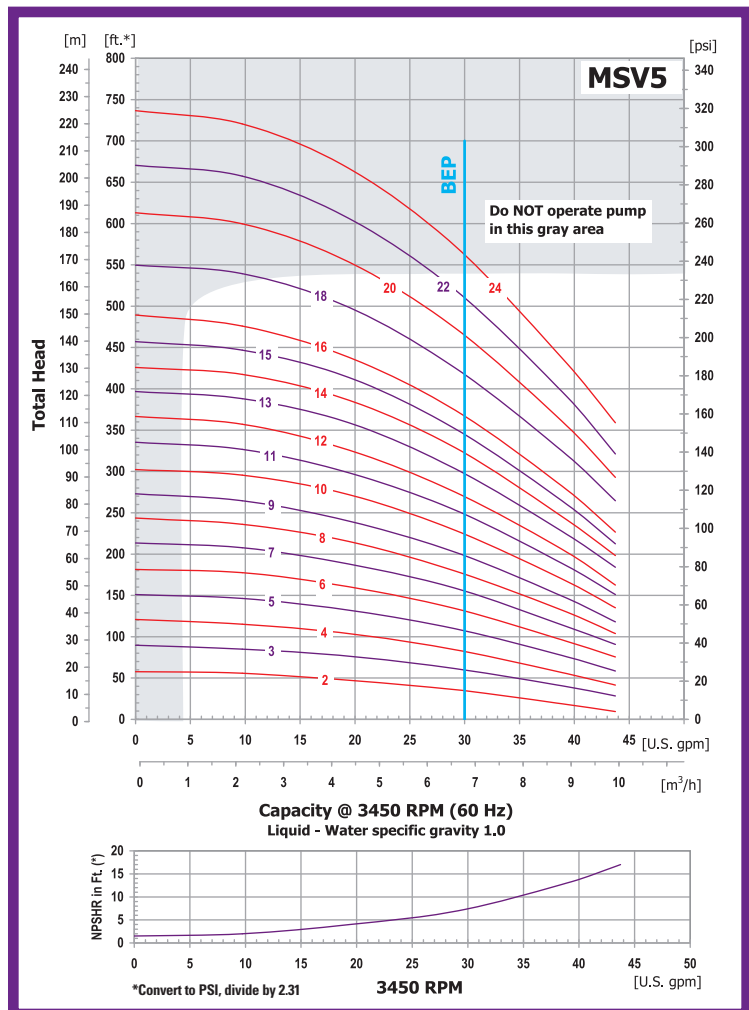
NOTE: Electric supply for ALL motors must be within ± 10% of nameplate voltage rating (e.g. 230V ± 10% = 207 to 253.)

MSV5 Multistage Pumps

- **304 Series Stainless Steel Components with Teflon® Wear Rings**
- **Cast Iron Base & Adapter**
- **1-1/4" NPT Cast Iron Flanges**
- **NEMA 56C or 182/4 TC Dual Cycle 50/60 Hz, Single or Three Phase TEFC Motors**
- **EPDM/Tungsten Carbide Seal with Easy Replacement Feature**
- **Optional ANSI/ASME 250# Flange Kit**
- **Models Available in 2 thru 24 Stages**



These AMT commercial/industrial centrifugal pumps are non-self-priming (gravity feed) units designed to handle high-pressure low flow liquid transfer applications where no suction lift is required. Typical installations include: hot and chilled water, boiler feed, condensate return, irrigation, high pressure washdown, booster service, and fire protection/sprinkler systems—often referred to as a Jockey Pump. These pumps have NOT been investigated for use in potable (drinking) water systems.



Maximum Working Pressure 232 PSI [1600 kPa]

Maximum Temp 180° F

MESA AGRO-INDUSTRIAL CORP.

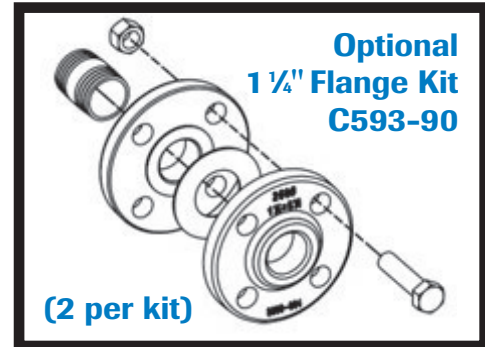
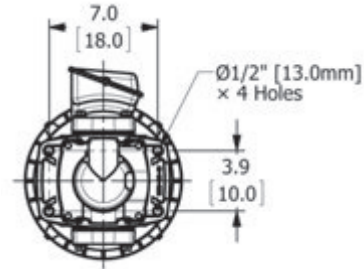
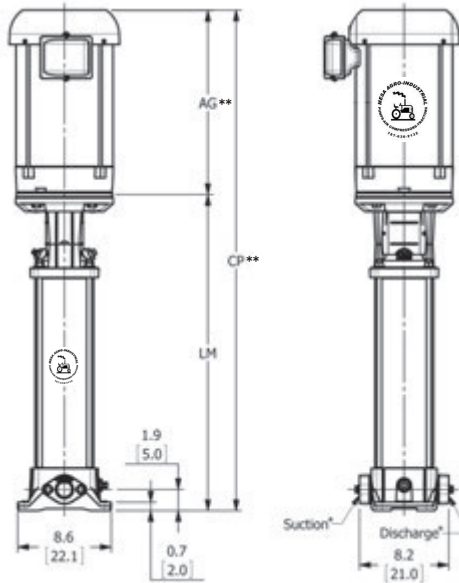
BOMBAS DE AGUA --FILTROS --COMPRESORES DE AIRE --GENERADORES DE ELECTRICIDAD
TRACTORES E IMPLEMENTOS AGRICOLAS --PISTEROS Y SISTEMAS DE RIEGO --MANGAS --VALVULAS

TELS. 939-338-0607 --787-636-2132 - FAX. 787-740-0960

E-mail: mesaagro@hotmail.com - www.mesapr.com



For use with nonflammable liquids compatible with pump component materials. Viton® and Teflon® are registered trademarks of E. I. DuPont.



Pumps are interchangeable with Grundfos CR5 Series

SPECIFICATIONS AND DIMENSIONS

*1-1/4" Female NPT Suction and Discharge Ports

MODEL ▲	STAGES	HP	AG**	LM	CP**	Ship Wt.	
						1 PHASE (-1P)	3 PHASE (-3P)
MSV5-2	2	2	11.4 [29.0]	10.9 [27.9]	22.3 [56.8]	78 lbs. [36 kgs.]	71 lbs. [32 kgs.]
MSV5-3	3	2	11.4 [29.0]	12.0 [30.6]	23.4 [59.5]	80 lbs. [36 kgs.]	72 lbs. [33 kgs.]
MSV5-4	4	2	11.4 [29.0]	13.0 [33.3]	24.5 [62.2]	81 lbs. [37 kgs.]	73 lbs. [33 kgs.]
MSV5-5	5	2	11.4 [29.0]	14.1 [36.0]	25.5 [64.9]	82 lbs. [37 kgs.]	75 lbs. [34 kgs.]
MSV5-6	6	2	11.4 [29.0]	15.2 [38.7]	26.6 [67.6]	83 lbs. [38 kgs.]	76 lbs. [34 kgs.]
MSV5-7	7	2	11.4 [29.0]	16.2 [41.4]	27.6 [70.3]	84 lbs. [38 kgs.]	77 lbs. [35 kgs.]
MSV5-8	8	3	11.8 [30.0]	17.3 [44.1]	29.1 [74.0]	94 lbs. [43 kgs.]	82 lbs. [37 kgs.]
MSV5-9	9	3	11.8 [30.0]	18.4 [46.8]	30.2 [76.7]	95 lbs. [43 kgs.]	84 lbs. [38 kgs.]
MSV5-10	10	3	11.8 [30.0]	19.4 [49.5]	31.2 [79.4]	96 lbs. [44 kgs.]	85 lbs. [38 kgs.]
MSV5-11+	11+	5+	15.0 [38.3]	21.4 [54.4]	36.5 [92.7]	N/A	109 lbs. [49 kgs.]
MSV5-12+	12+	5+	15.0 [38.3]	22.4 [57.1]	37.5 [95.4]	N/A	110 lbs. [50 kgs.]
MSV5-13+	13+	5+	15.0 [38.3]	23.5 [59.8]	38.6 [98.1]	N/A	111 lbs. [50 kgs.]
MSV5-14+	14+	5+	15.0 [38.3]	24.5 [62.5]	39.6 [100.8]	N/A	112 lbs. [51 kgs.]
MSV5-15+	15+	5+	15.0 [38.3]	25.6 [65.2]	40.7 [103.5]	N/A	113 lbs. [51 kgs.]
MSV5-16+	16+	5+	15.0 [38.3]	26.7 [67.9]	41.8 [106.2]	N/A	114 lbs. [52 kgs.]
MSV5-18+	18+	7½+	17.1 [43.5]	29.3 [74.5]	46.4 [118.0]	N/A	121 lbs. [55 kgs.]
MSV5-20+	20+	7½+	17.1 [43.5]	31.4 [79.9]	48.5 [123.4]	N/A	123 lbs. [56 kgs.]
MSV5-22+	22+	7½+	17.1 [43.5]	33.5 [85.3]	50.7 [128.8]	N/A	126 lbs. [57 kgs.]
MSV5-24+	24+	7½+	17.1 [43.5]	35.7 [90.7]	52.8 [134.2]	N/A	128 lbs. [58 kgs.]

+ MSV5-11 thru 24: Available in 3 PH electric only.

+ MSV5-11 thru 16: 5 HP TC motors approx. diameter of 8.8 [22.5]

+ MSV5-18 thru 24: 7½ HP approx. diameter of 10.0 [25.6]

NOTE: Dimensions are in inches (centimeters) and have a tolerance of ±1/8"

** Dimension may vary due to motor manufacturer's specifications.

▲ When Ordering Add the Correct Suffix (-?P) to Model Number Indicating Phase (ex. MSV5-2-1P)

SINGLE PHASE (-1P) VOLTAGES	60HZ= 2 HP 115/208-230 VAC and 3HP 208-230 VAC 50HZ= 2 HP 110/220 VAC and 3HP 220 VAC
THREE PHASE (-3P) VOLTAGES	60HZ= 2 HP - 7.5 HP 208-230/460 VAC 50HZ= 190/380 VAC

NOTE: Electric supply for ALL motors must be within ± 10% of nameplate voltage rating (e.g. 230V ± 10% = 207 to 253.)

Inline Centrifugal Circulator Pumps

- **Cast Iron or Silicon Bronze Construction**
- **EPDM/EPR Mechanical Seal and Casing O-ring, Buna-N Option Available**
- **Investment Cast Stainless Steel Impeller with 569/570/571 Series, 572 Series Includes Silicon Bronze Impeller**
- **Accessory Mounting Flanges Available 3/4" to 2" NPT**
- **Maximum Temperature 225° F (107° C)***
- **Maximum Flow 58 GPM**
- **Maximum Head 19 Ft. (8 PSI)**
- **Single Phase 1/4 HP, 1725 RPM, 115 VAC ODP 56J Motor with Overload Protection**

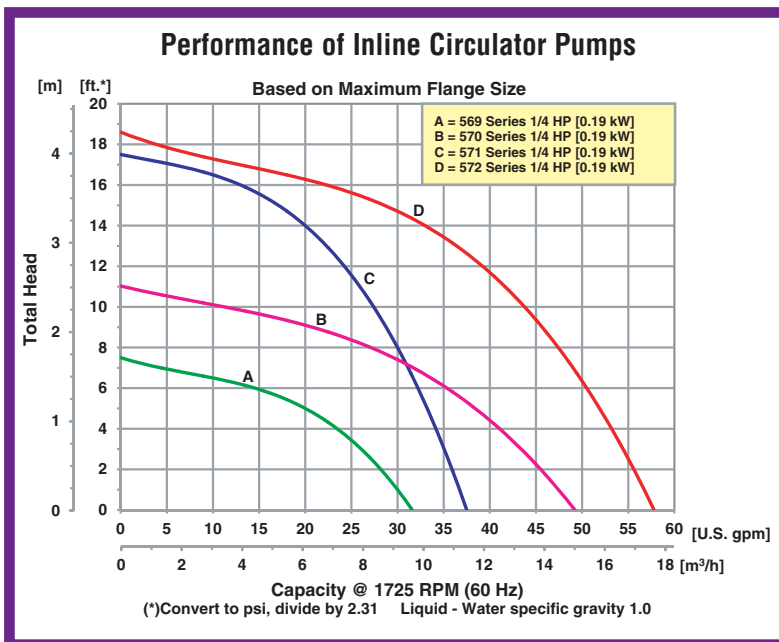


Bronze Circulator Pump



AMT Inline Circulator Pumps are designed for continuous duty industrial/ commercial systems. Pumps are available in a variety of material configurations to meet your specifications. All models are powered by a single phase 115 VAC ODP 56J NEMA frame 1/4 HP electric motor with 1/2-14 NPSM conduit connection. Direct coupled design eliminates stub shaft, oiled bearing and coupling, reducing maintenance. Pumps are interchangeable with other manufacturers, see cross reference on specification page.

* Maximum temperature applies to water only.



MESA AGRO-INDUSTRIAL CORP.

BOMBAS DE AGUA --FILTROS --COMPRESORES DE AIRE --GENERADORES DE ELECTRICIDAD
 TRACTORES E IMPLEMENTOS AGRICOLAS --PISTEROS Y SISTEMAS DE RIEGO --MANGAS --VALVULAS
 TELS. 939-338-0607 --787-636-2132 - FAX. 787-740-0960
 E-mail: mesaagro@hotmail.com - www.mesapr.com



Pump Dimensional & Specification Data

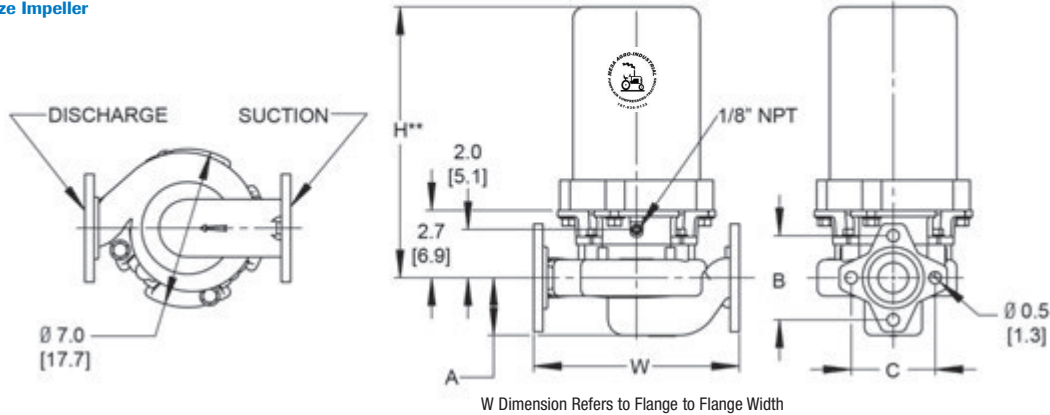
Model ‡	Curve	HP	PH	ENC	Voltage @ 60 Hz	Full Load Amps	A	B	C	W	H**	‡ Ship Wt. (Lbs.)
5690	A	1/4	1	ODP	115	5.4	2.1 [5.3]	3.1 [7.9]	3.1 [7.9]	6.3 [16.0]	13.3 [33.8]	25
5700	B						2.3 [5.8]	3.4 [8.6]	3.4 [8.6]	8.5 [21.6]	13.5 [34.3]	28
5710	C						2.3 [5.8]	3.4 [8.6]	3.4 [8.6]	8.5 [21.6]	13.5 [34.3]	28
5720	D						2.3 [5.8]	3.4 [8.6]	3.4 [8.6]	8.5 [21.6]	13.5 [34.3]	28

**This dimension may vary due to motor manufacturer specifications
NOTE: Dimensions are in inches (centimeters) and have a tolerance of $\pm 1/8"$.
NOTE: Electric supply for ALL motors must be within $\pm 10\%$ of nameplate voltage rating (e.g. 230V $\pm 10\%$ = 207 to 253.)

569/570/571 Series – Stainless Steel Impeller
572 series – Bronze Impeller

‡ When ordering add the correct -9x suffix to model number indicating material selection
XCI (-95) = Cast Iron Construction
XB (-97) = Cast Bronze Construction

PUMPS ARE DESIGNED TO MOUNT HORIZONTALLY OR VERTICALLY



Connection Flanges - Flange Kit Model Numbers

Flanges Available - Standard NPT (Female) Pipe Thread

Model Series	3/4"	1"	1-1/4"	1-1/2"	2"	Flange Face to NPT Face Thickness
569 Series XCI	C569-90	C569-91	C569-92	N/A	N/A	3/4"
569 Series XB	C569-93	C569-94	C569-95	N/A	N/A	3/4"
570 & 571 series XCI	C570-90	C570-91	C570-92	C570-93	N/A	3/4"
570 & 571 series XB	C570-94	C570-95	C570-96	C570-97	N/A	3/4"
572 Series XCI (-95)	N/A	N/A	N/A	N/A	C570-98	1-1/2"
572 Series XCI (-97)	N/A	N/A	N/A	N/A	C570-99	1-1/2"

NOTE: NPT Flange Kits Include: 2 Flanges, 2 Buna-N Gaskets, 4 Bolts and Nuts

Standard Features

- 4-Bolt Flange Allows 360° Mounting Rotation in 90° Increments
- 1/8" NPT Seal Wash/Vent Port Shipped Plugged
- EPDM/EPR Mechanical Seals and O-Rings
- Optional Buna-N Mechanical Seal and O-Ring Available
- Close Coupled Design Reduces Maintenance Requirements
- Standard NEMA 56J Motor Mounting Dimensions
- Stainless Steel (300 Series) Motor Shaft
- High Efficiency Closed Impeller
- Inline Centered Design, Centerline of Ports In Line with Motor Shaft
- Maximum Working Pressure 150 PSI
- QSP: Quick Ship Pump for Many Models

Manufacturer Cross Reference

Model Series	Flange to Flange Width*	Bell & Gossett Series	Armstrong Series	TACO Series	Dayton (Cast Iron)
569	6.4	100NFI	S-25	110	4RD16
570	8.5	HV NFI	H-32	111	4RC93
571	8.5	PR	H-41	113	4RC91
572	8.5	2NFI	S-35	120	4RC95

*Refers to B Dimensions

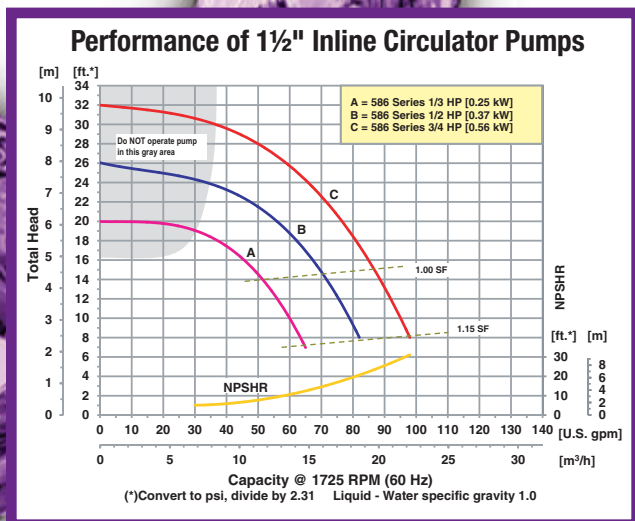
Inline 1-1/2" Circulator Pumps



- **Cast Iron or Silicon Bronze Construction with Silicon Bronze Impeller**
- **EPDM/EPR Mechanical Seal and Casing O-Ring Standard, Viton® Option Available**
- **Includes Mounting Flange Kit for 1-1/2" NPT**
- **Special Flange Designed to Accept B&G Flange or Standard 150lb 4-Bolt Flange**
- **Maximum Water Temperature 225° F (107° C)***
- **Maximum Flow 130 GPM**
- **Maximum Head 53 Ft. (23 PSI)**
- **1/8" NPT Seal Wash/Vent Port**
- **Single Phase or Three Phase TEFC 56C Motor**

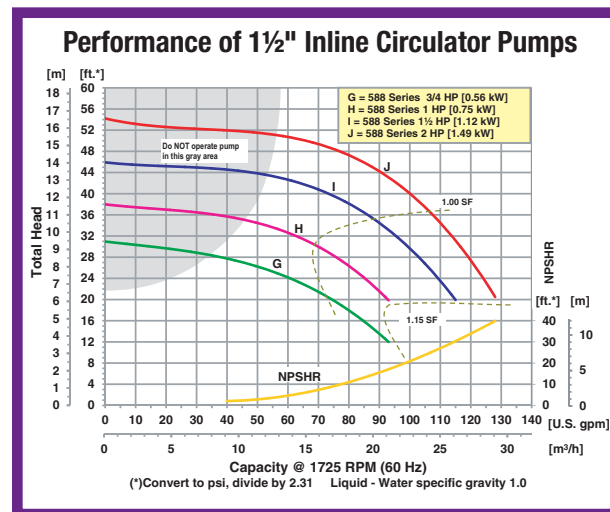
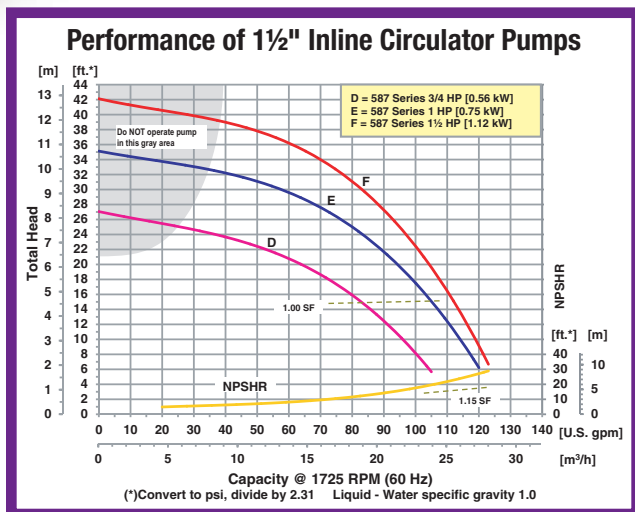


5860-95
Cast Iron
Circulator
Pump



AMT Inline Circulator Pumps are designed for continuous duty industrial/commercial systems. Pumps are available in a variety of material configurations to meet your specifications. Pumps are powered by a 56C NEMA Totally Enclosed Fan Cooled (TEFC) frame electric motor with 1/2" conduit connection. Pumps are interchangeable with other manufacturers.

* Maximum temperature applies to water only.



MESA AGRO-INDUSTRIAL CORP.
 BOMBAS DE AGUA --FILTROS --COMPRESORES DE AIRE --GENERADORES DE ELECTRICIDAD
 TRACTORES E IMPLEMENTOS AGRICOLAS --PISTEROS Y SISTEMAS DE RIEGO --MANGAS --VALVULAS
 TELS. 939-338-0607 --787-636-2132 - FAX. 787-740-0960
 E-mail: mesaagro@hotmail.com - www.mesapr.com



For use with nonflammable liquids compatible with pump component materials. Viton® and Teflon® are registered trademarks of E. I. DuPont.

Pump Dimensional & Specification Data

Model ‡	Curve	HP	PH	ENC	Voltage @ 60 Hz +	Full Load Amps	A	B	C	D	E	F	G	L**	W	H	B & G Cast Iron Equiv	B & G Bronze Equiv	‡ Ship Wt. (Lbs.)
5864 5865	A	1/3	1 3	TEFC	115/230 230/460	7/4 2/1	5.4 [13.7]	6.5 [16.5]	3.1 [7.8]	1.4 [3.5]	0.5 [1.3]	4.0 [10.2]	4.0 [10.2]	19.5 [49.5]	8.0 [20.3]	11.5 [29.2]	S607S 607T	B607S B607T	80 77
5862 5863	B	1/2	1 3	TEFC	115/230 230/460	9/5 3/2	5.4 [13.7]	6.5 [16.5]	3.1 [7.8]	1.4 [3.5]	0.5 [1.3]	4.0 [10.2]	4.0 [10.2]	19.5 [49.5]	8.0 [20.3]	11.5 [29.2]	608S 608T	B608S B608T	84 80
5860 5861	C	3/4	1 3	TEFC	115/230 230/460	12/6 3/2	5.4 [13.7]	6.5 [16.5]	3.1 [7.8]	1.4 [3.5]	0.5 [1.3]	4.0 [10.2]	4.0 [10.2]	19.5 [49.5]	8.0 [20.3]	11.5 [29.2]	609S 609T	B609S B609T	90 84
5874 5875	D	3/4	1 3	TEFC	115/230 230/460	12/6 3/2	5.4 [13.7]	7.0 [17.8]	3.6 [9.1]	1.0 [2.5]	0.7 [1.8]	4.6 [11.7]	4.0 [10.2]	20.0 [50.8]	8.6 [21.8]	13.5 [34.3]	621S 621T	B621S B621T	87 86
5872 5873	E	1	1 3	TEFC	115/230 230/460	14/7 4/2	5.4 [13.7]	7.0 [17.8]	3.6 [9.1]	1.0 [2.5]	0.7 [1.8]	4.6 [11.7]	4.0 [10.2]	20.0 [50.8]	8.6 [21.8]	13.5 [34.3]	613S 613T	B613S B613T	92 90
5870 5871	F	1-1/2	1 3	TEFC	115/230 230/460	17/9 5/3	5.4 [13.7]	7.0 [17.8]	3.6 [9.1]	1.0 [2.5]	0.7 [1.8]	4.6 [11.7]	4.0 [10.2]	20.0 [50.8]	8.6 [21.8]	13.5 [34.3]	614S 614T	B614S B614T	102 94
5886 5887	G	3/4	1 3	TEFC	115/230 230/460	12/6 3/2	5.5 [13.9]	7.0 [17.8]	3.4 [8.6]	1.0 [2.5]	0.7 [1.8]	5.0 [12.7]	4.3 [10.9]	19.9 [50.5]	9.3 [23.6]	13.5 [34.3]	622S 622T	B622S B622T	89 87
5884 5885	H	1	1 3	TEFC	115/230 230/460	14/7 4/2	5.5 [13.9]	7.0 [17.8]	3.4 [8.6]	1.0 [2.5]	0.7 [1.8]	5.0 [12.7]	4.3 [10.9]	19.9 [50.5]	9.3 [23.6]	13.5 [34.3]	623S 623T	B623S B623T	94 92
5882 5883	I	1-1/2	1 3	TEFC	115/230 230/460	17/9 5/3	5.5 [13.9]	7.0 [17.8]	3.4 [8.6]	1.0 [2.5]	0.7 [1.8]	5.0 [12.7]	4.3 [10.9]	19.9 [50.5]	9.3 [23.6]	13.5 [34.3]	617S 617T	B617S B617T	104 96
5880 5881	J	2	1 3	TEFC	115/230 230/460	22/11 6/3	5.5 [13.9]	7.0 [17.8]	3.4 [8.6]	1.0 [2.5]	0.7 [1.8]	5.0 [12.7]	4.3 [10.9]	19.9 [50.5]	9.3 [23.6]	13.5 [34.3]	618S 618T	B618S B618T	105 97

** This dimension may vary due to the motor manufacturer's specifications.

(+) 3-Phase models can also operate on 50 Hz. (This will change full load amps, service factor and RPM.)

NOTE: Dimensions are in inches (centimeters) and have a tolerance of $\pm 1/8"$

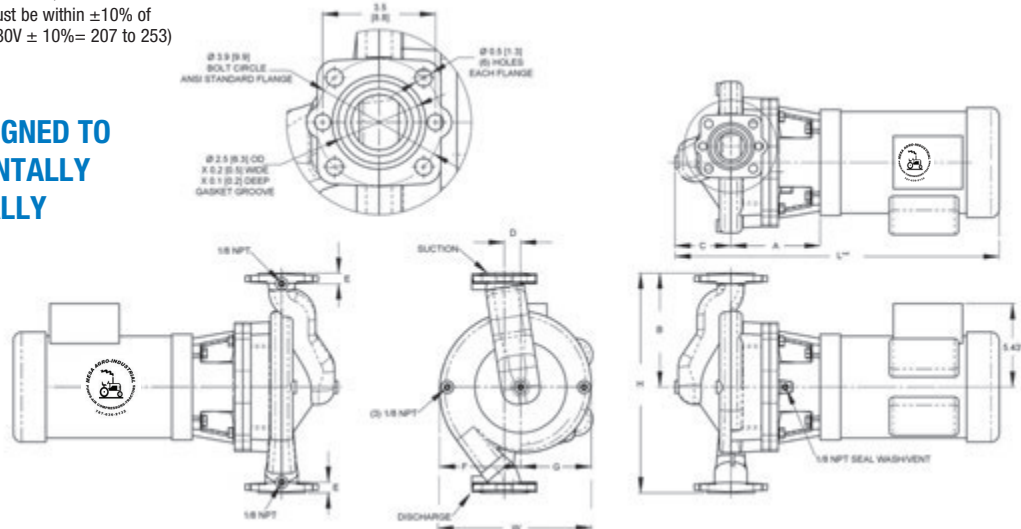
NOTE: Electric supply for all motors must be within $\pm 10\%$ of nameplate voltage rating (Ex. 230V $\pm 10\%$ = 207 to 253)

XCI (-95) = Cast Iron Construction with Bronze Impeller

XB (-97) = Cast Bronze Construction with Bronze Impeller

**PUMPS ARE DESIGNED TO
MOUNT HORIZONTALLY
OR VERTICALLY**

**‡ When Ordering
Add the Correct
Suffix (-9x) Suffix
to Model Number
Indicating Material
Selection.**



Standard Features

- Includes Mounting Flange Kit for 1-1/2" NPT; Includes (2) Flanges, (2) Gaskets and Fasteners
- Steel Shaft with Sealed Ball Bearing Design Permits Removal of Motor Without Disconnecting Pump or Loss of Liquid
- Special Flange Designed to Accept B&G Flange or Standard 150 Lb. 4 bolt Flanges
- High Efficiency Closed Bronze Impeller
- 1/8" NPT Seal Wash/Vent Port
- Available in Either Single or Three Phase TEFC 56C Motors with Standard NEMA Mounting Dimensions
- EPDM/EPR Mechanical Seal and Casing O-Ring Standard
- Maximum Working Pressure 150 PSI
- Optional Viton® Mechanical Seals and O-Rings Available
- Stainless Steel (300 Series) Sleeve Protects Stub Shaft from Liquid

Inline 3" Circulator Pumps

- **Cast Iron or Silicon Bronze Construction**
- **EPDM/EPR Mechanical Seal and Casing O-Ring, Buna-N Option Available**
- **Silicon Bronze Impeller**
- **Mounting Flange Kit for 3" NPT Included**
- **Maximum Working Pressure 150 PSI**
- **Maximum Temperature 225° F (107° C)***
- **Maximum Flow 150 GPM**
- **Maximum Head 28 Ft. (12 PSI)**
- **Single Phase or Three Phase TEFC 56C Motor**

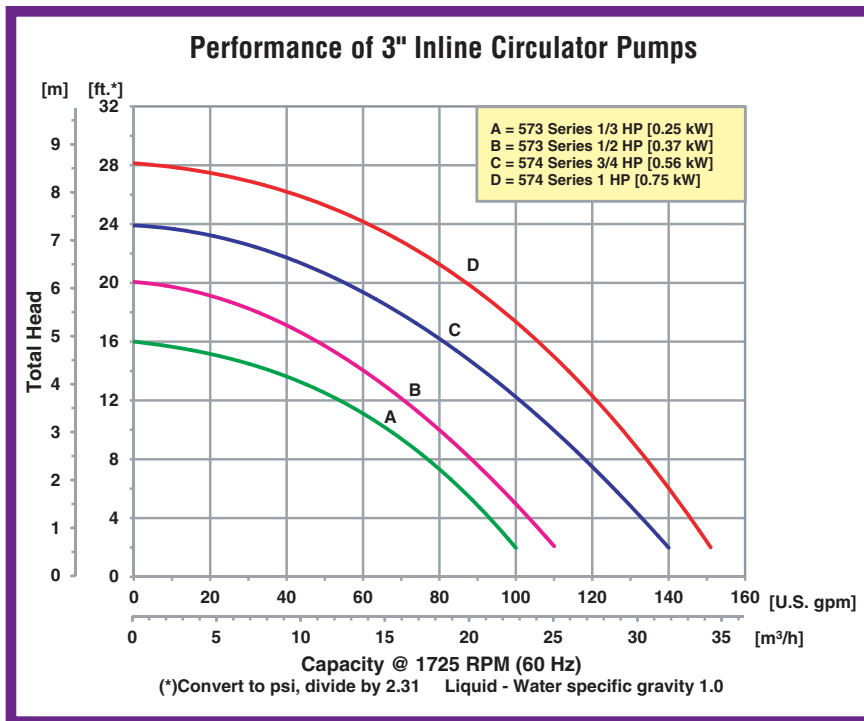


Model 5740-97
Bronze Circulator



AMT Inline Circulator Pumps are designed for continuous duty industrial/commercial systems. Pumps are available in a variety of material configurations to meet your specifications. Pumps are powered by a 56C NEMA frame electric motor with 1/2" conduit connection. Pumps are interchangeable with other manufacturers, see cross reference on specification page.

*Maximum temperature applies to water only.



MESA AGRO-INDUSTRIAL CORP.
 BOMBAS DE AGUA --FILTROS --COMPRESORES DE AIRE --GENERADORES DE ELECTRICIDAD
 TRACTORES E IMPLEMENTOS AGRICOLAS --PISTEROS Y SISTEMAS DE RIEGO --MANGAS --VALVULAS
 TELS. 939-338-0607 --787-636-2132 - FAX. 787-740-0960
 E-mail: mesaagro@hotmail.com - www.mesapr.com

For use with nonflammable liquids compatible with pump component materials. Viton® and Teflon® are registered trademarks of E. I. DuPont.

Pump Dimensional & Specification Data

Model ‡	Curve	HP	PH	ENC	Voltage @ 60 Hz +	Full Load Amps	A**	B	C	L**	W	H	‡ Ship Wt. (Lbs.)
5735 5736	A	1/3	1 3	TEFC	115/230 230/460	7/4 2/1	14.0 [35.5]	10.0 [25.4]	3.0 [7.6]	17.0 [43.2]	8.0 [20.3]	11.1 [28.2]	78 75
5730 5731	B	1/2	1 3	TEFC	115/230 230/460	9/5 3/2	14.0 [35.5]	10.0 [25.4]	3.0 [7.6]	17.0 [43.2]	8.0 [20.3]	11.1 [28.2]	84 77
5745 5746	C	3/4	1 3	TEFC	115/230 230/460	12/6 3/2	15.0 [38.1]	12.0 [30.5]	3.2 [8.2]	18.0 [45.7]	8.2 [20.3]	13.2 [33.5]	90 84
5740 5741	D	1	1 3	TEFC	115/230 230/460	14/7 4/2	15.0 [38.1]	12.0 [30.5]	3.2 [8.2]	18.0 [45.7]	8.2 [20.3]	13.2 [33.5]	97 91

**This dimension may vary due to motor manufacturer's specifications

(+) 3-Phase models can also operate on 50 Hz. (This will change full load amps, service factor and RPM.)

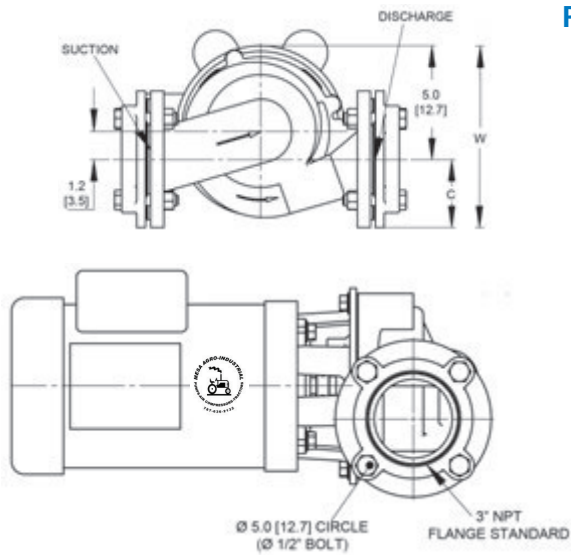
NOTE: Dimensions are in inches (centimeters) and have a tolerance of $\pm 1/8"$

NOTE: Electric supply for ALL motors must be within $\pm 10\%$ of nameplate voltage rating (Ex. 230V $\pm 10\%$ = 207 to 253)

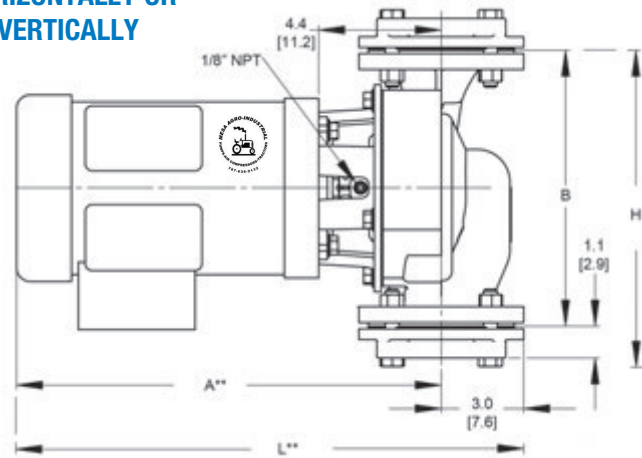
‡ When ordering add the correct -9x suffix to model number indicating material selection

XCI (-95) = Cast Iron Construction

XB (-97) = Cast Bronze Construction



PUMPS ARE DESIGNED TO MOUNT HORIZONTALLY OR VERTICALLY



Manufacturer Cross Reference

Model Series	Flange to Flange Width	Bell & Gossett Series (C.Iron)	Bell & Gossett Series (Bronze)	Armstrong Series	TACO Series	Dayton (C.Iron)
5735/5736	10	LD3	LD3AB	S-45	122	4RC99
5730/5731	10	HD3	HD3AB	S-46	131	4RD12
5745/5746	12	PD-35S	PDB35S	S-55	132	4RD13
5740/5741	12	PD-37S	PDB37S	S-56	133	4RD14

Standard Features

- Mounting Flange Kit for 3" NPT, Which Includes (2) Flanges, (2) Gaskets, and Fasteners
- 4-Bolt Flange Allows 360° Mounting Rotation in 90° Increments
- 1/8" NPT Seal Wash/Vent Port
- EPDM/EPR Mechanical Seal and O-Rings
- Optional Buna-N Mechanical Seal and O-Ring Available
- Stainless Steel (300 Series) Stub Shaft
- High Efficiency Closed Impeller
- Standard NEMA 56C Motor Mounting Dimensions
- Available in either Single Phase or Three Phase TEFC 56C Motors
- Maximum Working Pressure 150 PSI
- QSP: Quick Ship Pump for Many Models