

Self-Priming Centrifugal Pumps Coupled to Explosion Proof Motors

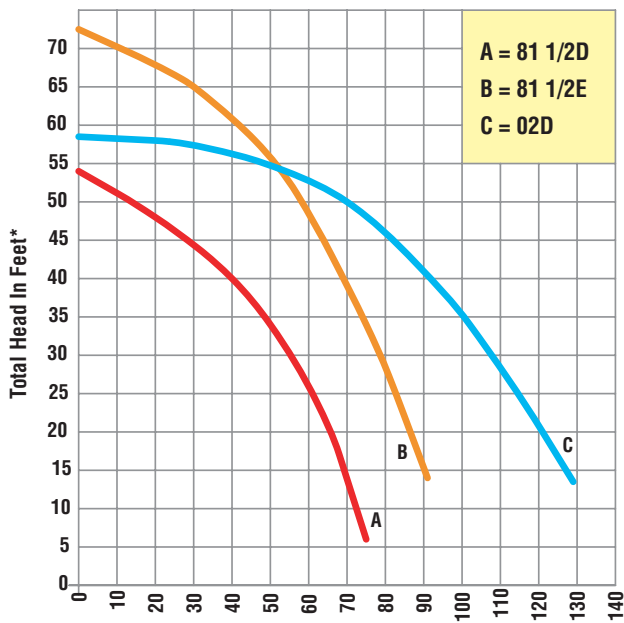


Model
81 1/2D3-X1-1P



- **Cast Iron Construction**
- **Viton® Seals with Carbon and Ni-resist Faces**
- **1-1/2" & 2" NPT Port Sizes**
- **Self-Priming to 20 Ft.**
- **Maximum Operating Pressure to 31 PSI**
- **Maximum Temperature 160° F**
- **Maximum Flow 128 GPM**
- **Maximum Head 72 Ft.**
- **Solids Handling up to 3/8" Diameter**
- **1/2 to 2 HP Single and Three Phase 3450 RPM Motors**

Performance of Self-Priming Pedestal Pumps



Capacity In US Gallons Per Minute @ 3450 RPM

*Convert to PSI, divide by 2.31

Liquid-Water specific gravity 1.0

This line of Gorman-Rupp self-priming centrifugal pumps are coupled to an hazardous duty explosion proof motor. These pumps are designed for use in hazardous environments and/or for handling flammable liquids. 1-1/2" and 2" NPT port sizes available with single or three phase motors. All models are self-priming and are equipped with Viton® seals with carbon and Ni-resist faces capable of handling liquids with temperatures to 160° F. Maximum flow to 128 GPM and maximum operating pressure to 31 PSI.

Exp. Proof Classes: Class 1, Group D, Class 2, Groups E,F,G or FG.

MESA AGRO-INDUSTRIAL CORP.

BOMBAS DE AGUA --FILTROS --COMPRESORES DE AIRE --GENERADORES DE ELECTRICIDAD
TRACTORES E IMPLEMENTOS AGRICOLAS --PISTEROS Y SISTEMAS DE RIEGO --MANGAS --VALVULAS

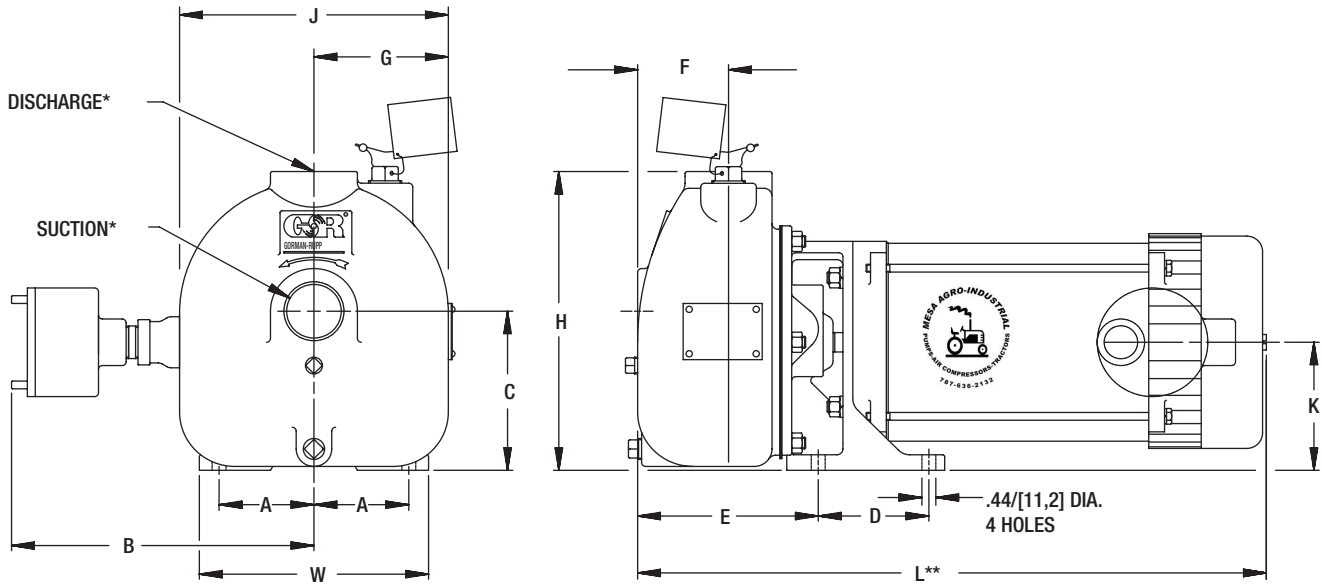
TELS. 939-338-0607 --787-636-2132 - FAX. 787-740-0960

E-mail: mesaagro@hotmail.com - www.mesapr.com



A Gorman-Rupp Company

For use with nonflammable liquids compatible with pump component materials. Viton® and Teflon® are registered trademarks of E. I. Dupont.



Model	Curve	SUC*	DIS*	A	B	C	D	E	F	G	J	K	L**	W	H
81-1/2D3-X1-1P	A	1.5	1.5	3.0 [76.2]	9.5 [242.8]	5.1 [130.0]	3.5 [88.9]	5.7 [145.0]	2.8 [73.2]	4.2 [108.0]	8.5 [215.9]	4.1 [104.9]	20.0 [508.0]	7.0 [177.8]	9.6 [244.6]
81-1/2D3-X1-3P	A	1.5	1.5	3.0 [76.2]	9.5 [242.8]	5.1 [130.0]	3.5 [88.9]	5.7 [145.0]	2.8 [73.2]	4.2 [108.0]	8.5 [215.9]	4.1 [104.9]	20.0 [508.0]	7.0 [177.8]	9.6 [244.6]
81-1/2E3-X1.5-1P	B	1.5	1.5	3.5 [76.2]	9.5 [242.8]	5.1 [130.0]	3.5 [88.9]	5.6 [144.5]	2.8 [73.2]	4.2 [108.0]	8.5 [215.9]	4.1 [104.9]	21.0 [533.4]	7.2 [183.9]	9.6 [244.6]
81-1/2E3-X1.5-3P	B	1.5	1.5	3.5 [76.2]	9.5 [242.8]	5.1 [130.0]	3.5 [88.9]	5.6 [144.5]	2.8 [73.2]	4.2 [108.0]	8.5 [215.9]	4.1 [104.9]	21.0 [533.4]	7.2 [183.9]	9.6 [244.6]
02D3-X2-1P	C	2.0	2.0	2.8 [73.2]	N/A	6.6 [168.1]	3.5 [88.9]	5.8 [147.6]	2.8 [73.2]	4.8 [123.9]	9.7 [247.6]	5.3 [136.6]	21.0 [533.4]	7.0 [177.8]	10.8 [276.4]
02D3-X2-3P	C	2.0	2.0	2.8 [73.2]	N/A	6.6 [168.1]	3.5 [88.9]	5.8 [147.6]	2.8 [73.2]	4.8 [123.9]	9.7 [247.6]	5.3 [136.6]	21.0 [533.4]	7.0 [177.8]	10.8 [276.4]

(*) Standard NPT pipe thread.

(**) This dimension may vary due to motor manufacturer's specifications.

NOTE: Dimensions are in inches (centimeters) and have a tolerance of ± 1/8".

Model	Driver Type & HP	NPT Port Size (SUC x DIS)	Basic Construction	Seal Type & Elastomer/Faces	VAC	Cycle	Motor Enclosure	Ship Wt. (Lbs.)
81-1/2D3-X1-1P	Elect. Motor 1 HP	1-1/2" x 1-1/2"	Gray Iron	Viton® Carbon Ni-resist	115/230	60 Cycle	X-Proof	89
81-1/2D3-X1-3P	Elect. Motor 1 HP	1-1/2" x 1-1/2"	Gray Iron	Viton® Carbon Ni-resist	208-230/460	60 Cycle	X-Proof	89
81-1/2E3-X1.5-1P	Elect. Motor 1.5 HP	1-1/2" x 1-1/2"	Gray Iron	Viton® Carbon Ni-resist	115/230	60 Cycle	X-Proof	76
81-1/2E3-X1.5-3P	Elect. Motor 1.5 HP	1-1/2" x 1-1/2"	Gray Iron	Viton® Carbon Ni-resist	230/460	60 Cycle	X-Proof	76
02D3-X2-1P	Elect. Motor 2 HP	2" x 2"	Gray Iron	Viton® Carbon Ni-resist	115/230	60 Cycle	X-Proof	101
02D3-X2-3P	Elect. Motor 2 HP	2" x 2"	Gray Iron	Viton® Carbon Ni-resist	230/460	60 Cycle	X-Proof	101

Standard Features

- Cast Iron Construction
- Viton® Seals with Carbon and Ni-resist Faces
- 1-1/2" & 2" NPT Port Sizes
- Maximum Operating Pressure to 31 PSI
- Maximum Temperature 160° F
- Maximum Flow 128 GPM
- Maximum Head 72 ft.
- Solids Handling to 3/8" Diameter
- Self-priming to 20 ft.
- Single to Three Phase 3450 RPM Motors



MESA AGRO-INDUSTRIAL CORP.
 BOMBAS DE AGUA --FILTROS --COMPRESORES DE AIRE --GENERADORES DE ELECTRICIDAD
 TRACTORES E IMPLEMENTOS AGRICOLAS --PISTEROS Y SISTEMAS DE RIEGO --MANGAS --VALVULAS
 TELS. 939-338-0607 --787-636-2132 - FAX. 787-740-0960
 E-mail: mesaagro@hotmail.com - www.mesapr.com



AMT Pumps with Specialty Motors

- **Motor Options**

- ◆ **Hazardous Duty, Xplosion Proof Motor**
- ◆ **Stocking 1 HP up to 10 HP in Single and Three Phase**
- ◆ **Washdown Duty**
- ◆ **575 Volt**
- ◆ **1725 RPM**
- ◆ **12/24 V DC**
- ◆ **Custom**
- ◆ **Lead Times Based on Motor Availability**



Model 4240-C8
 Added Features:
 A200-90 Mounting Base
 A220-90 Seal Wash Install



Model 282C-X5



Please call or email us at
 E-mail: mesaagro@hotmail.com
for more information
or special quote.

AMT Pumps with Specialty Motor options allow for applications where environment, liquid and/or application requires special motor needs. Motor options include: Hazardous Duty Xplosion Proof, Washdown Duty, 575 Volt, 1725 RPM among many other options are available on most AMT Electric Driven Pumps.

Please call AMT for any special needs to determine pricing, availability and options.

MESA AGRO-INDUSTRIAL CORP.
 BOMBAS DE AGUA --FILTROS --COMPRESORES DE AIRE --GENERADORES DE ELECTRICIDAD
 TRACTORES E IMPLEMENTOS AGRICOLAS --PISTEROS Y SISTEMAS DE RIEGO --MANGAS --VALVULAS
 TELS. 939-338-0607 --787-636-2132 - FAX. 787-740-0960
 E-mail: mesaagro@hotmail.com - www.mesapr.com



For use with nonflammable liquids compatible with pump component materials. Viton® and Teflon® are registered trademarks of E. I. Dupont.



Pumps with Specialty Motor Options



A Gorman-Rupp Company

The Pump People™

Please call or email us at

MESA AGRO-INDUSTRIAL CORP.
 BOMBAS DE AGUA --FILTROS --COMPRESORES DE AIRE --GENERADORES DE ELECTRICIDAD
 TRACTORES E IMPLEMENTOS AGRICOLAS --PISTEROS Y SISTEMAS DE RIEGO --MANGAS --VALVULAS
 TELS. 939-338-0607 --787-636-2132 - FAX. 787-740-0960
 E-mail: mesaagro@hotmail.com - www.mesapr.com



Motor Options

- Hazardous Duty, Xplosion Proof Motor
- Stocking 1 HP up to 10 HP in Single and Three Phase
- Washdown Duty
- 575 Volt
- 1725 RPM
- 12/24 V DC
- Custom
- Lead Times Based on Motor Availability



MESA AGRO-INDUSTRIAL CORP.
 BOMBAS DE AGUA --FILTROS --COMPRESORES DE AIRE --GENERADORES DE ELECTRICIDAD
 TRACTORES E IMPLEMENTOS AGRICOLAS --PISTEROS Y SISTEMAS DE RIEGO --MANGAS --VALVULAS
 TELS. 939-338-0607 --787-636-2132 - FAX. 787-740-0960
 E-mail: mesaagro@hotmail.com - www.mesapr.com